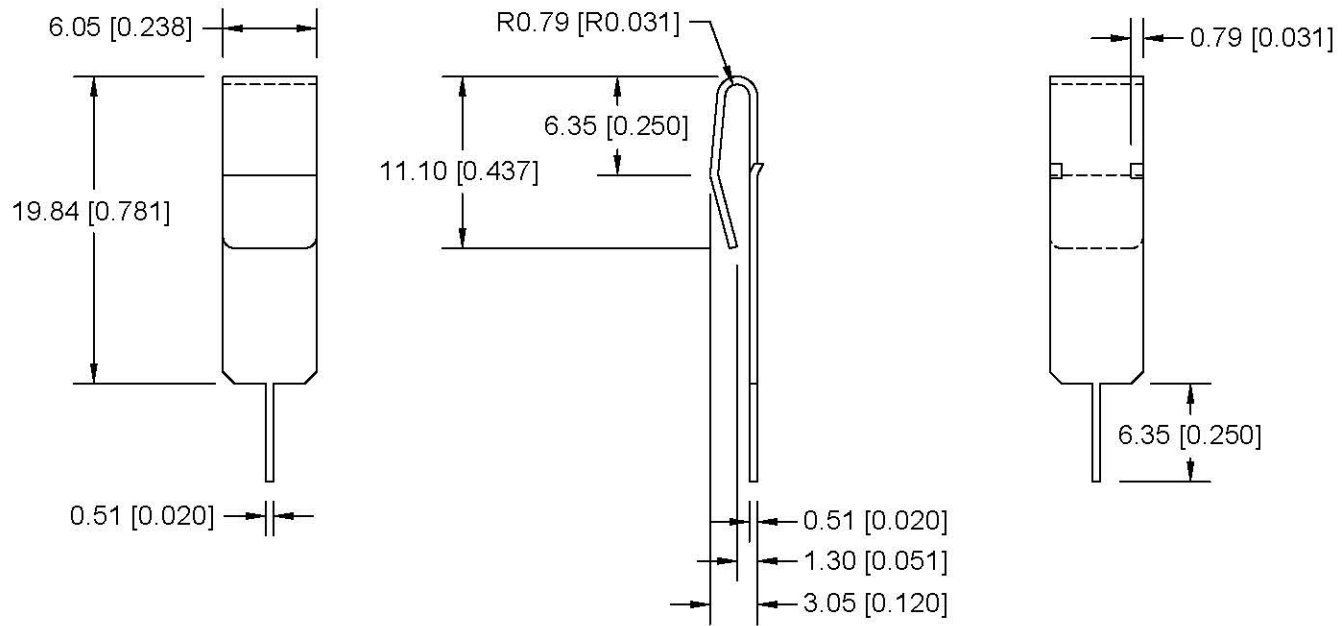



Date	SYM	REVISION RECORD	AUTH	DR.	CK.
9/21/23	B	Updated datasheet	DL	BS	



NOTES:

MATERIAL: Matt Stainless Steel Wire, Type 302, Spring Tempe. Nickel Plated.
Contact from BHC battery holder.

Tolerance (Except as noted)	 <small>Visit our Website for a complete list of our products www.batteryholders.com www.memoryprotectiondevices.com We specialize in custom parts! sales@memoryprotectiondevices.com</small>		
	decimal ±.5 (.020)	Scale	Drawn By B.S. Approved By T.B.
Fractional ± .8 (.030)	Title CONTACT, BHC		
Angular ± 3°	Date 09/21/2023	Drawing Number 1116-1	