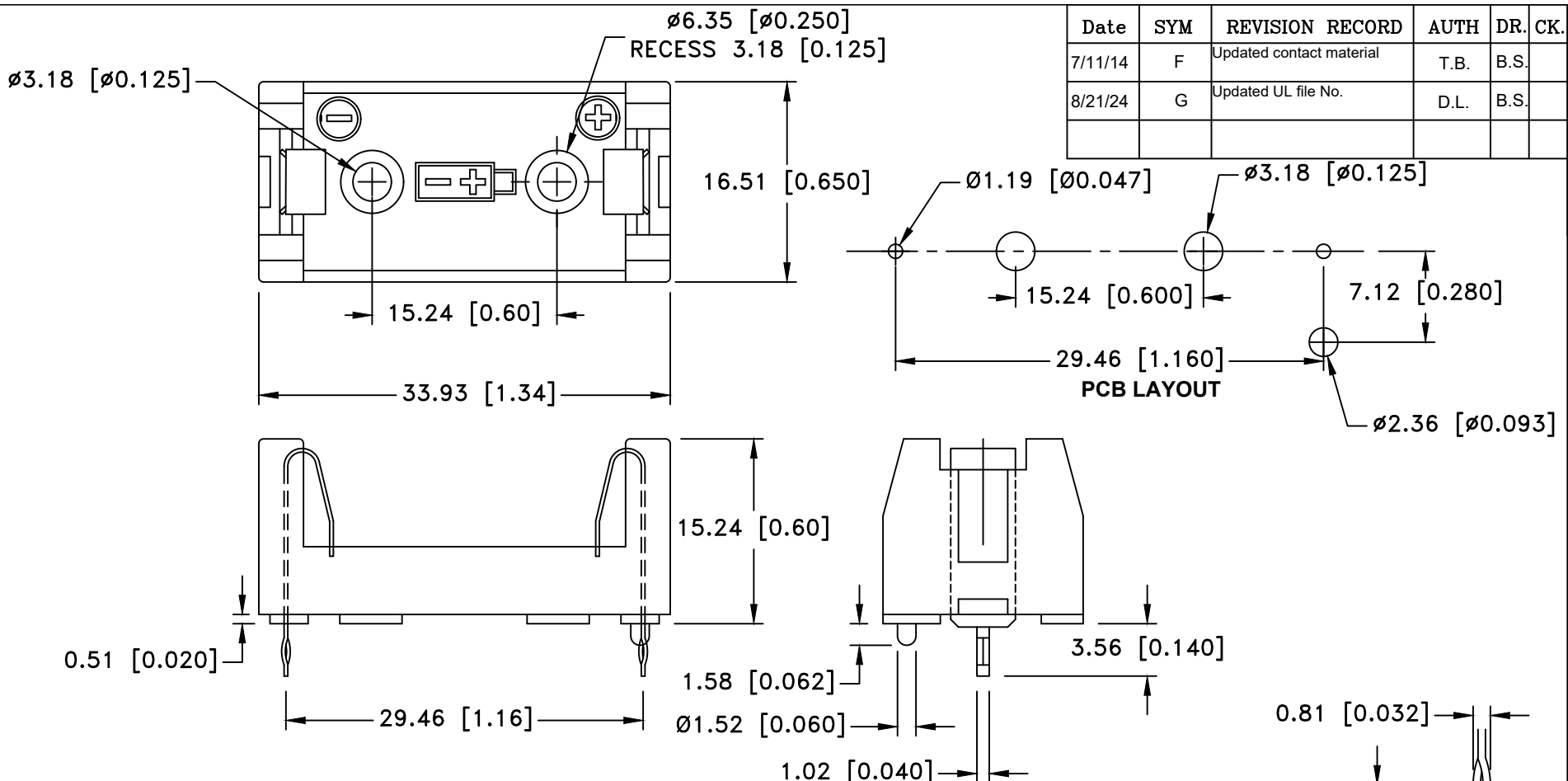



Date	SYM	REVISION RECORD	AUTH	DR.	CK.
7/11/14	F	Updated contact material	T.B.	B.S.	
8/21/24	G	Updated UL file No.	D.L.	B.S.	



SPECIFICATIONS:
 HOLDER MATERIAL: BLACK PBT
 FLAMMABILITY RATING: UL94V-0, FILE #E45587
 CONTACTS: 301 SPRING TEMPER STAINLESS STEEL, NICKEL PLATED OVERALL
 DIELECTRIC STRENGTH: 560 VOLTS/MIL AT 25°C FOR 5 SEC.
 TEMPERATURE RANGE: -55°C TO +180°C
 RESISTANCE TO SOLVENTS: XYLENE, ETHYL, BUTYL, METHYL, PROPYL ALCOHOL, ETHYL ACETATE, HEPTANE, TOLUENE, REFRIGERANT

ROHS COMPLIANT

NOTES:
 EYELET STIMPSON STYLE#A1883 0.110" OD x 0.190" FLANGE
 FLANGE RECESS $\phi 0.250$ " x 0.125" DEEP
 ACCEPTS STANDARD 2-56 MACHINE SCREWS

Tolerance (Except as noted)	 Memory Protection Devices, Inc 200 Broad Hollow Road, Farmingdale, New York 11735		
	decimal $\pm .5$ (.020)	Scale	Drawn By B.S. Approved By D.L.
Fractional $\pm .8$ (.030)	Title 1/2AA BATTERY HOLDER, PCB MOUNTING		
Angular $\pm 3^\circ$	Date 08/21/24	Drawing Number 815-0931	