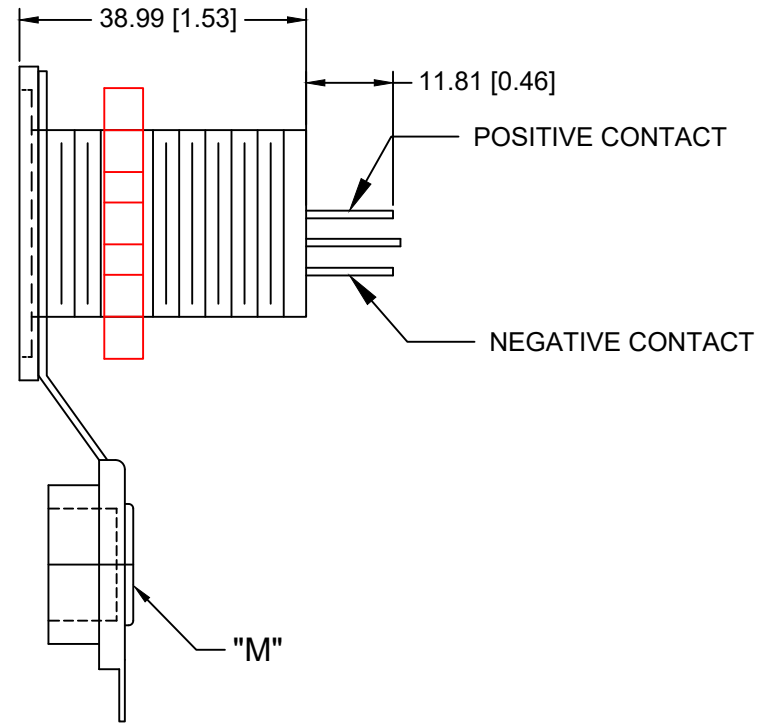
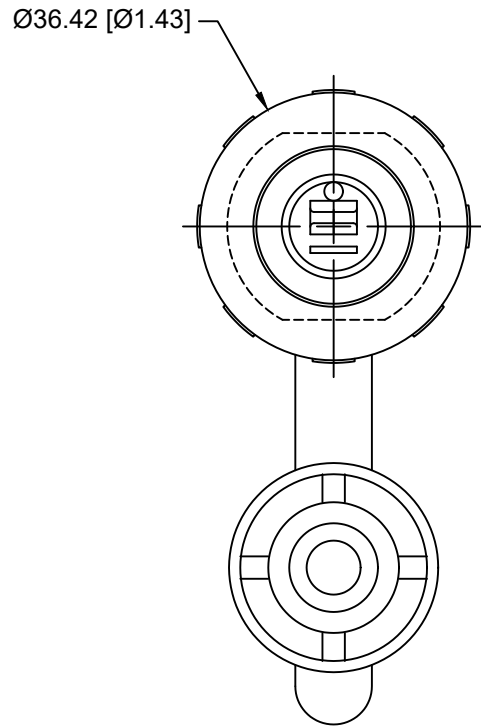
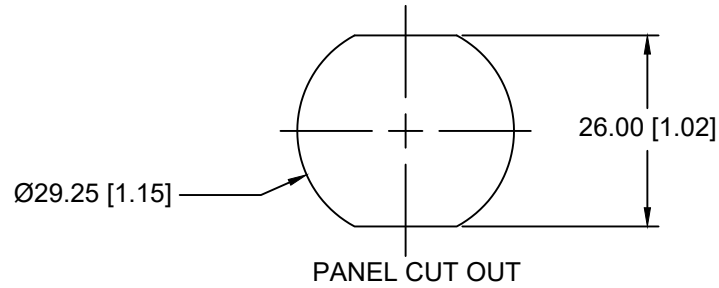



| Date | SYM | REVISION RECORD | AUTH | DR. | CK. |
|------|-----|-----------------|------|-----|-----|
| | | | | | |
| | | | | | |
| | | | | | |



MATERIAL SPECIFICATION:

COVER: PVC, WATER PROOF IP66,
 BODY: FLAME RETARDANT NYLON, GLASS FIBER
 REINFORCED
 CONTACTS: 0.250" QUICK CONNECT TERMINALS
 PANEL MOUNT WITH FIXING SCREW NUT
 RATING: 15AMP
 ROHS COMPLIANT

| | | | |
|--------------------------------|---|-------------------------|------------------|
| Tolerance (Except as noted) |  Memory Protection Devices, Inc 200 Broad Hollow Road, Farmingdale, New York 11735 | Scale | Drawn By B.S. |
| | | decimal ±.5 (.020) | Approved By T.B. |
| Fractional ± .8 (.030) | Title 1 1/8" DIN MERIT SOCKET, 15AMP | | |
| Angular ± 3° | Date 12/23/22 | Drawing Number AS216 | |