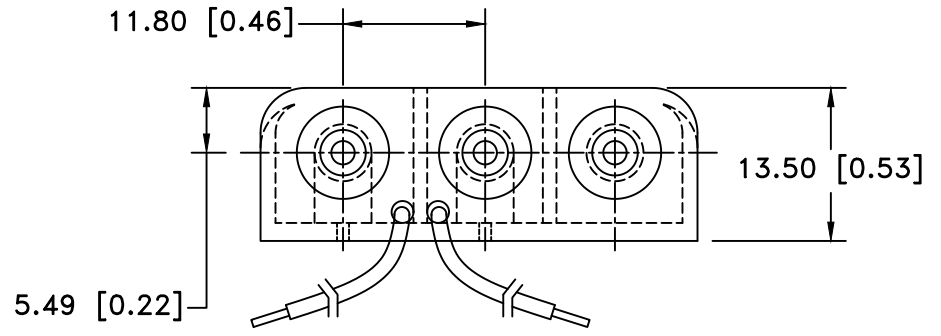
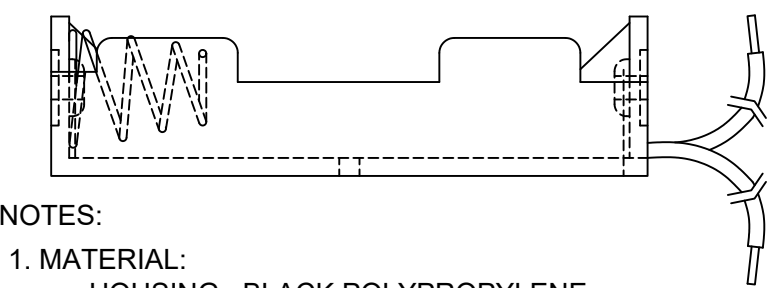
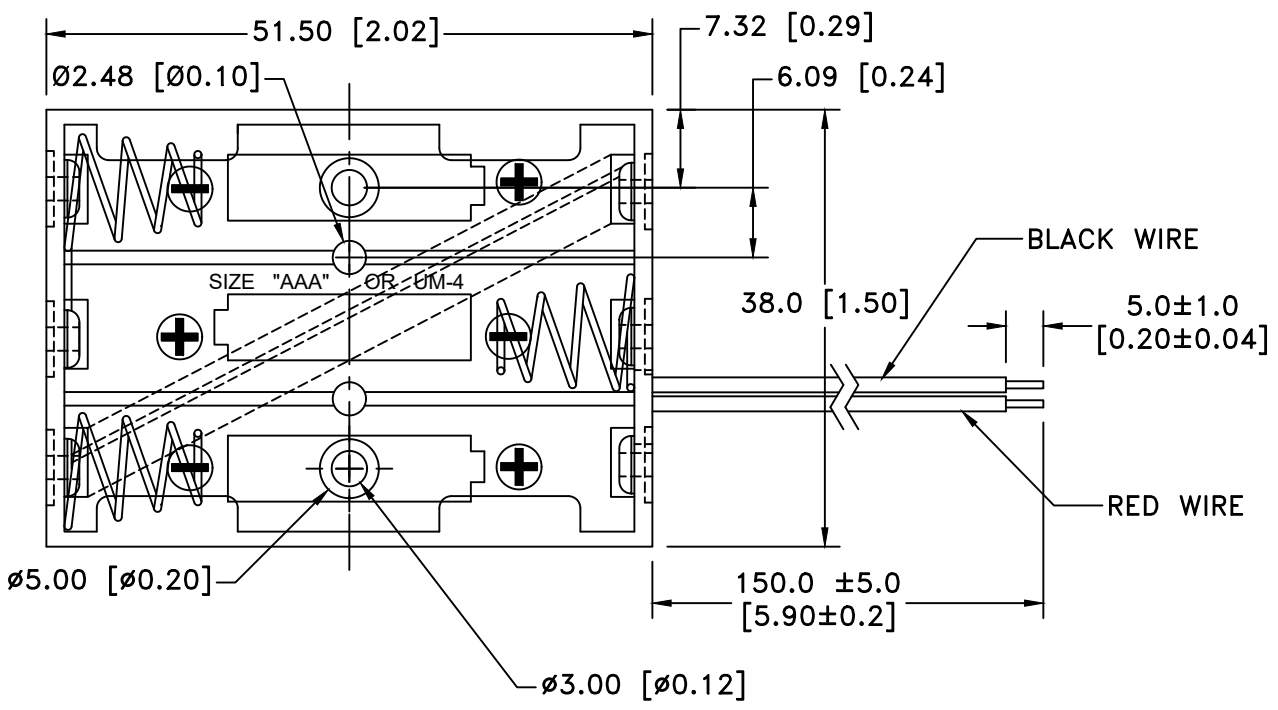



Date	SYM	REVISION RECORD	AUTH	DR.	CK.
07/07/17	D	DIM. 38.0 WAS 37.0 DIM. 2.48 WAS 2.82	T.B.	B.S.	
12/15/17	F	ADDED DIM. 7.32 AND 6.09	T.B.	B.S.	
03/06/19	G	UPDATED TO "ROHS COMPLIANT"	T.B.	B.S.	



NOTES:

- 1. MATERIAL:**
 HOUSING : BLACK POLYPROPYLENE
 FLAMMABILITY RATING -UL94-HB, UL FILE NO. E216959
 TEMPERATURE RANGE: -10°C to +100°C
 RIVETS: BRASS, NICKEL PLATED.
 SPRING: SPRING STEEL, NICKEL PLATED.
 WIRE: 26 AWG, UL1007, CSA, TR64, 300V, 80°C
 CONTACTS: SPRING STEEL, NICKEL PLATED.
 CONTACT RESISTANCE: UNDER 50mΩ FOR +/- CONTACTS PER EIA-540J000
- ROHS COMPLIANT

MOUNTING INSTRUCTION:
 USE 2-56 MACHINE SCREWS OR EYELETS 0.089" OD BY 0.15" FLANGE STIMPSON GS-3 SERIES OR EQUIVALENT. ALSO ADHESIVES AND DOUBLE SIDED TAPES WORK WELL.

Tolerance (Except as noted)	 Memory Protection Devices, Inc 200 Broad Hollow Road, Farmingdale, New York 11735	Scale	Drawn By B.S.
		Approved By T.B.	
decimal ±.5 (.020)	Title THREE "AAA" CELL HOLDER WITH WIRE LEADS		
Fractional ± .8 (.030)	Date 03/06/19	Drawing Number BC3AAAW	
Angular ± 3°			