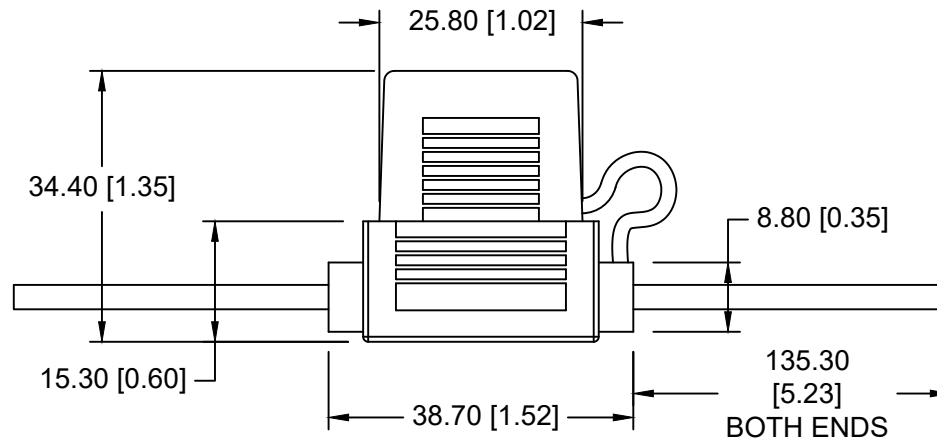



Date	SYM	REVISION RECORD	AUTH	DR.	CK.
04/12/19	A	UPDATED TO "ROHS COMPLIANT"	T.B.	B.S.	
11/26/19	B	ADDED WIRE LENGTH WAS RATED 30AMP.	T.B.	B.S.	



### WATER RESISTANT TYPE

#### NOTES:

- MATERIAL:**  
HOUSING : PVC ,UL94V-0, FLEX 60GPVC, UL FILE NO. E174939
- WIRE: 5.23" LONG RED WIRE, 16 AWG, UL 1015, 600V, 105°C, FLAME RATED VW-1, UL FILE NO. E250011 OR ENGINEERING APPROVED EQUIVALENT
- RATED CURRENT: 15A
- ACCEPTS ATP/ATC/ATO FUSES
- INSULATION RESISTANCE AT 500V DC: 100MΩ MIN
- CONTACT RESISTANCE: 5mΩ AT 1A DC
- DIELECTRIC STRENGTH FOR 60 SECONDS: AC 1000V MIN
- ROHS COMPLIANT

Tolerance (Except as noted)	 <b>Memory Protection Devices, Inc</b> 200 Broad Hollow Road, Farmingdale, New York 11735	Scale	Drawn By B.S.
			Approved By T.B.
decimal ±.5 (.020)	Title INLINE FUSE HOLDER		
Fractional ± .8 (.030)	Date 11/26/19	Drawing Number BF353	
Angular ± 3°			