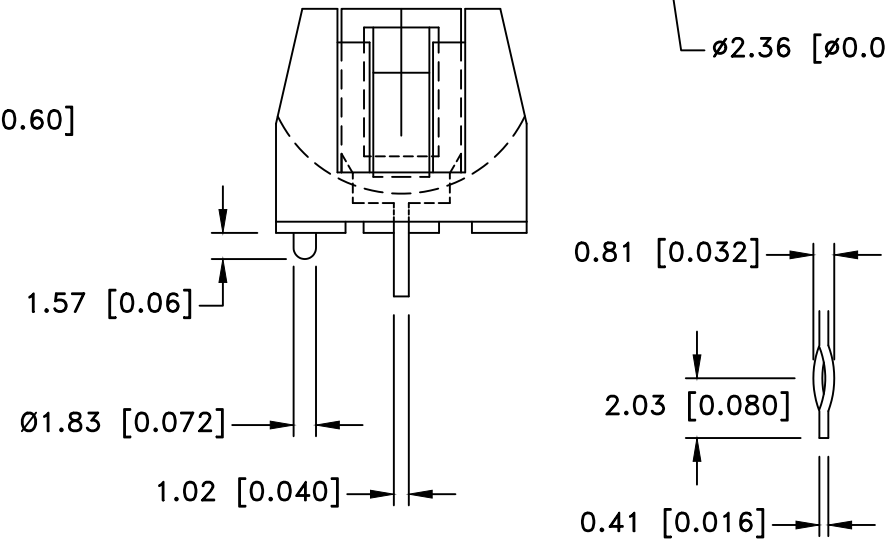
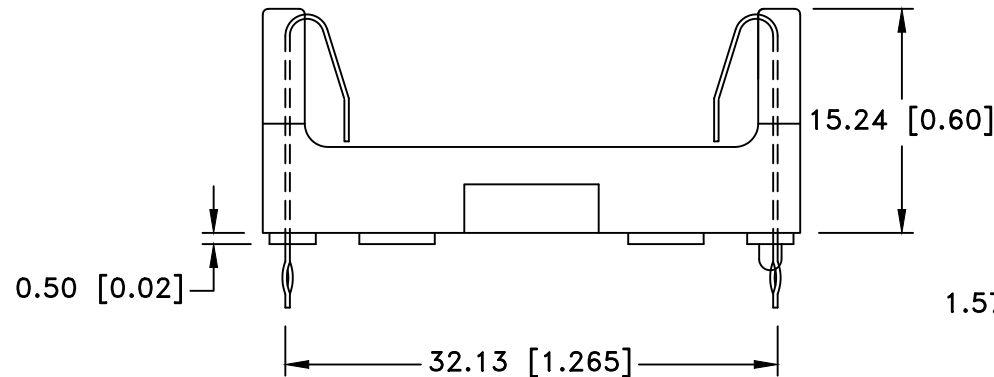
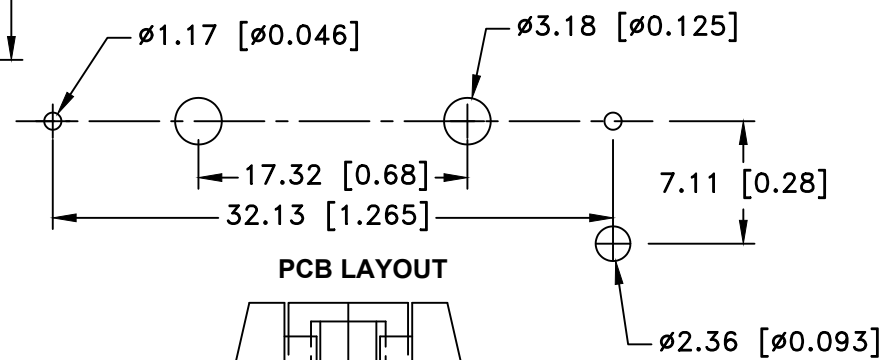


Date	SYM	REVISION RECORD	AUTH	DR.	CK.
03/23/18	H	PCB LAYOUT DIM. 32.13 WAS 31.39	T.B.	B.S.	
08/21/24	J	UPDATED UL FILE NO.	D.L.	B.S.	



SPECIFICATIONS:

HOLDER MATERIAL: SELF EXTINGUISHING THERMOPLASTIC, BLACK PBT

FLAMMABILITY RATING: UL94V-0, FILE #E45587

CONTACTS: 302 SPRING TEMPER STAINLESS STEEL, NICKEL PLATED OVERALL

DIELECTRIC STRENGTH: 560 VOLTS/MIL AT 25°C FOR 5 SEC.


TEMPERATURE RANGE: -55°C TO +180°C

RESISTANCE TO SOLVENTS: XYLENE, ETHYL, BUTYL, METHYL, PROPYL ALCOHOL, ETHYL ACETATE, HEPTANE, TOLUENE, REFRIGERANT

ROHS COMPLIANT

Mounting Instruction:

Use 2-56 machine screws or eyelets 0.089" OD by 0.15" flange stimpson GS-3 series or equivalent. also adhesives and double sided tapes work well.

Tolerance (Except as noted)	 Memory Protection Devices, Inc 200 Broad Hollow Road, Farmingdale, New York 11735		
decimal ±.5 (.020)	Scale	Drawn By B.S.	
Fractional ± .8 (.030)	Title	Approved By D.L.	
Angular ± 3°	Date	Drawing Number	
	08/21/24	BH-CR2-PC	