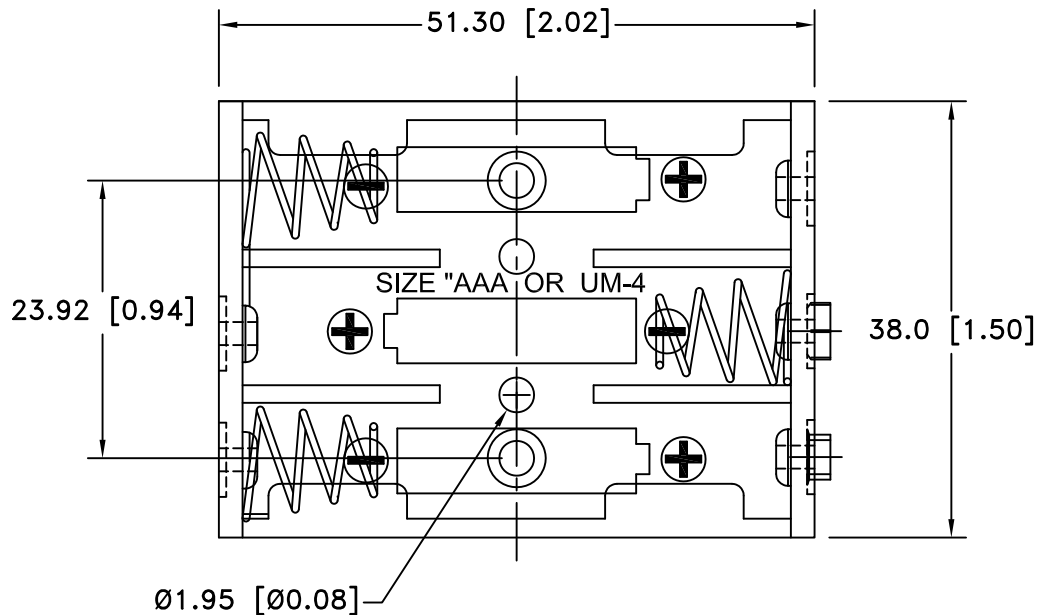
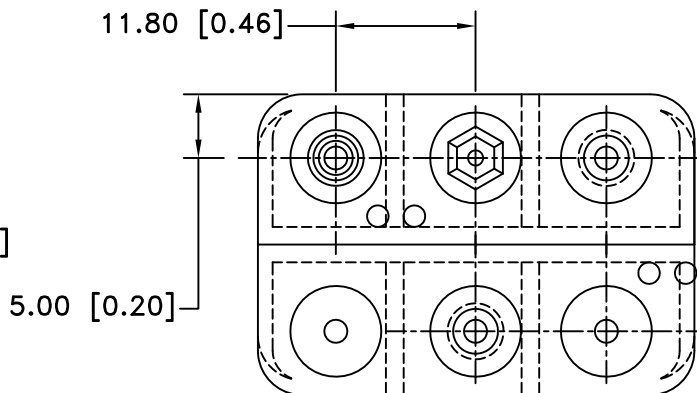
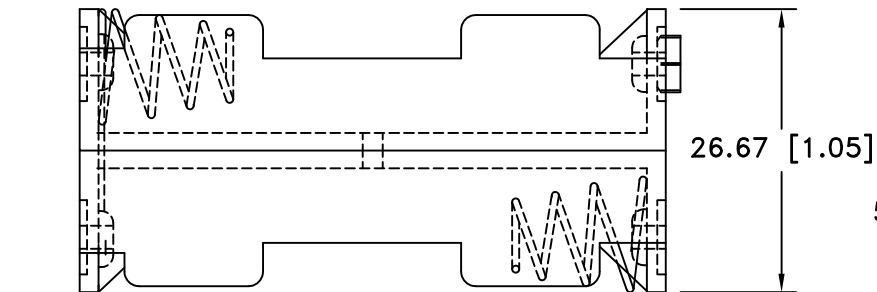


Date	SYM	REVISION RECORD	AUTH	DR.	CK.
06/14/13	C	UPDATED TITLE	T.B.	B.S.	
10/17/14	D	DIM. Ø3.0 WAS Ø2.0	T.B.	B.S.	
07/07/17	E	DIM. 38.0 WAS 37.60 DIM. Ø2.0 WAS Ø3.0 ADDED DIM. Ø1.95	T.B.	B.S.	
07/17/17	F	ADDED MOUNTING INSTRUCTION	T.B.	B.S.	




Mounting Instruction:

Use 2-56 machine screws or eyelets 0.089" OD by 0.15" flange stimpson GS-3 series or equivalent. also adhesives and double sided tapes work well.



NOTES:

- Plastic material - Polypropylene, Black
- Flammability Rating -UL94-HB, UL File NO. E216959
- Temperature Range: -10°C to +100°C
- Springs - Nickel Plated Spring Steel
- Rivets - Brass, Nickel Plated
- 9Volt Snaps - Brass, Nickel Plated
- Contact Resistance: Under 50mΩ for +/- contacts per EIA-540J000
- ROHS 2 COMPLIANT

Tolerance (Except as noted)	 Memory Protection Devices, Inc 200 Broad Hollow Road, Farmingdale, New York 11735	Scale	Drawn By B.S.
			Approved By T.B.
decimal ±.5 (.020)	Title SIX "AAA" CELL HOLDER WITH SNAP FASTENERS	Date 07/17/17	
Fractional ± .8 (.030)		Drawing Number BH26AAASF	
Angular ± 3°			