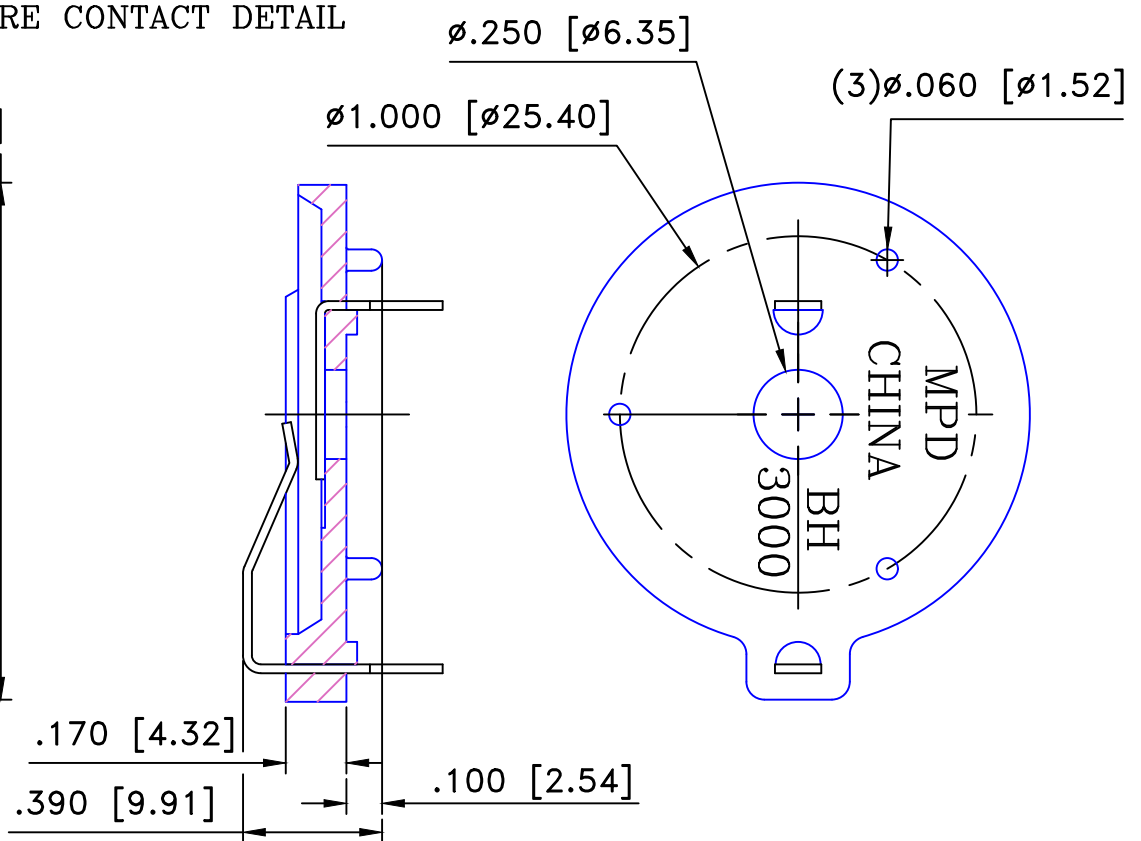
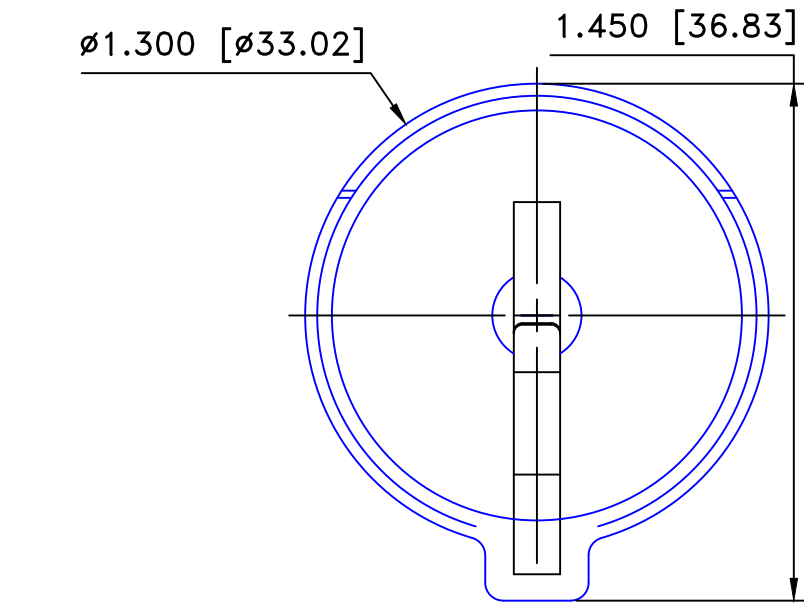
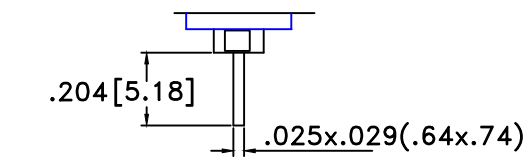
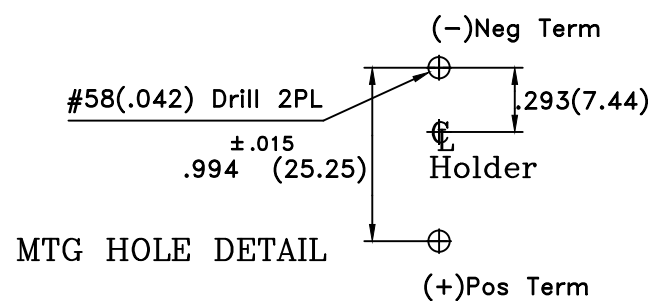



Date	SYM	REVISION RECORD	AUTH	DR.	CK.
12/12/19	F	Added weight of the part	T.B.	B.S.	
08/21/24	G	Updated UL File No.	T.B.	B.S.	



SPECIFICATIONS

- *Holder material—thermoplastic, black PBT
 - *Flammability rating—UL94V-0, File No.E45587
 - *Contacts—302 spring temper stainless steel nickel plated overall, Lead Free
 - *Dielectric strength—560volts/mil at 25°C for 5seconds
 - *Temperature range— -55° to +180°C
 - *Resistance to solvents—Xylene,ethyl,butyl,methyl&proptl alcohol;ethyl acetate,heptane;toluene;refrigerant
- approximate weight: 3.68g
ROHS COMPLIANT

Tolerance (Except as noted)	 Memory protection Devices, Inc 200 Broad Hollow Road, Farmingdale, New York 11735		
	decimal ±.5 (.020)	Scale 2=1	Drawn By T.S. Approved By D.L.
Fractional ± .8 (.030)	Title CR3032 BATTERY HOLDER, ø30MMx3.2MM THICK		
Angular ± 3°	Date 08/21/24	Drawing Number BH3000	