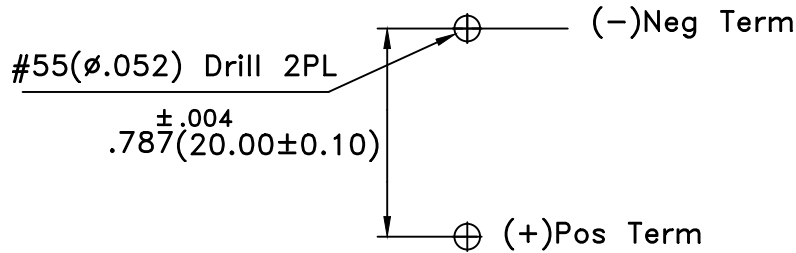
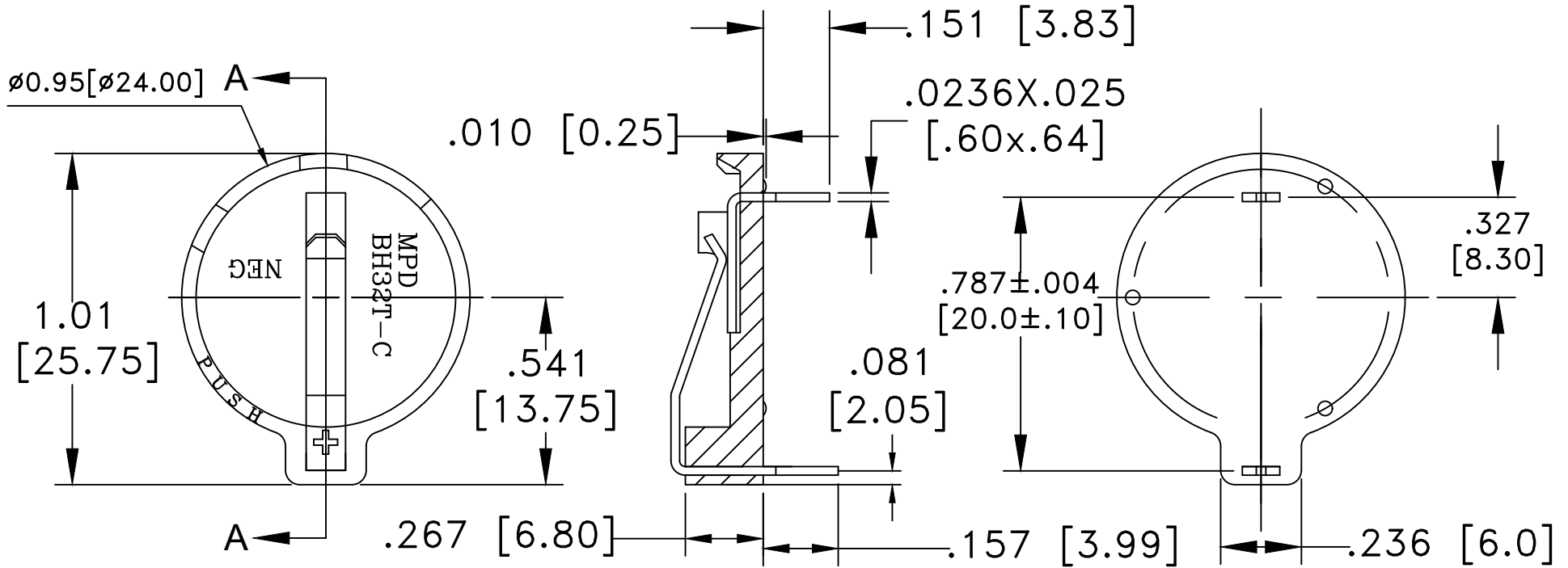


PCB LAYOUT




Date	SYM	REVISION RECORD	AUTH	DR.	CK.
10/07/19	B	ADDED WEIGHT OF THE PART	T.B.	B.S.	
08/22/24	C	UPDATED UL FILE NO.	D.L.	B.S.	



SPECIFICATIONS:

Holder Material: Black PBT
 Flammability rating: UL94V-0, UL File No. E45587
 Contacts:
 Positive: 0.0236" Thick PHOS-BRONZE, Gold Flash Over Nickel Plate
 Negative: Spring Tempered Stainless Steel, Gold Flash Over Nickel Plate
 Temperature Range: -40°C to +140°C
 ROHS COMPLIANT

Weight: 2.30 g.

Tolerance (Except as noted)	 Memory protection Devices, Inc 200 Broad Hollow Road, Farmingdale, New York 11735	Scale	Drawn By B.S.
			Approved By D.L.
decimal ±.5 (.020)	Title CR2032 OR BR2032 BATTERY HOLDER		
Fractional ± .8 (.030)	Date 08/22/24	Drawing Number BH32T-C-G	
Angular ± 3°			