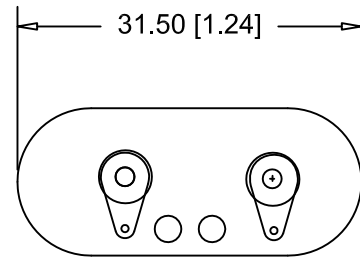
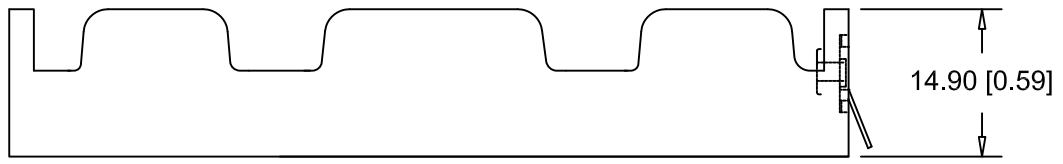
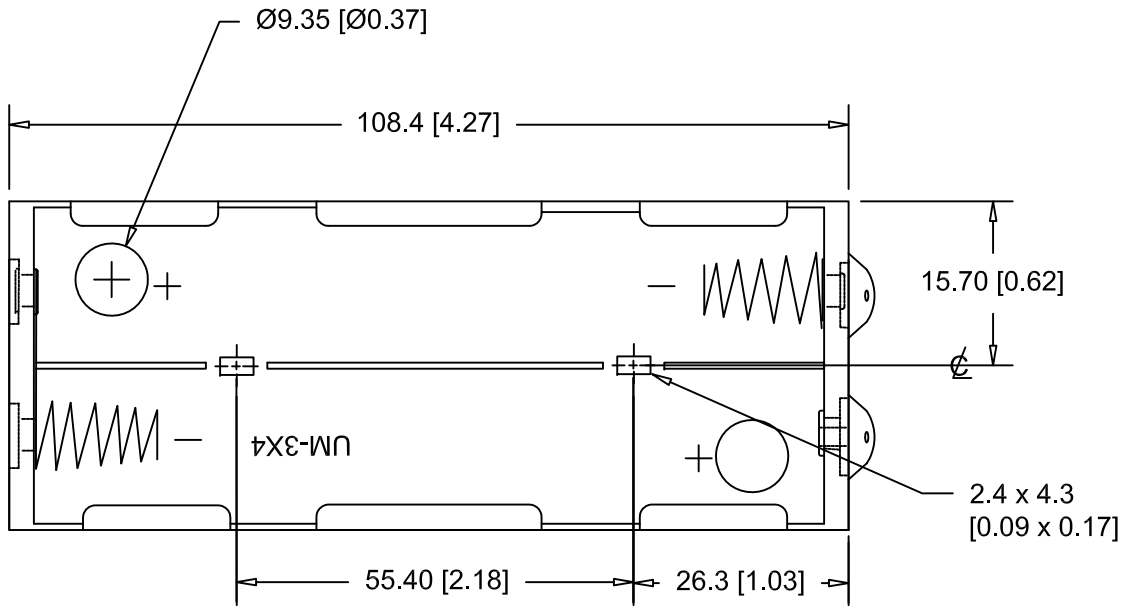



Date	SYM	REVISION RECORD	AUTH	DR.	CK.
07/12/13	B	UPDATED TO ROHS 2 COMPLIANT	T.B.	B.S.	
05/12/17	C	DIM. 108.4 WAS 108.46 ADDED MOUNTING HOLES	T.B.	B.S.	



SPECIFICATIONS :

Plastic material - polypropylene
 Flammability Rating-UL94 HB, UL File No. E216959
 Temperature RangeE: -10°C to +100°C
 Springs - nickel plated spring steel
 Lugs: Brass, nickel plated
 Rivets - Brass, nickel plated
 Contact Resistance: Under 50mΩ for +/- contacts per EIA-540J000
 ROHS 2 COMPLIANT

Tolerance (Except as noted)	 Memory Protection Devices, Inc 200 Broad Hollow Road, Farmingdale, New York 11735		
decimal ±.5 (.020)		Scale	Drawn By B.S.
Fractional ± .8 (.030)	Title FOUR "AA" CELL HOLDER WITH SOLDER LUGS		
Angular ± 3°	Date 05/12/17	Drawing Number BH34AAL	
		Approved By T.B.	