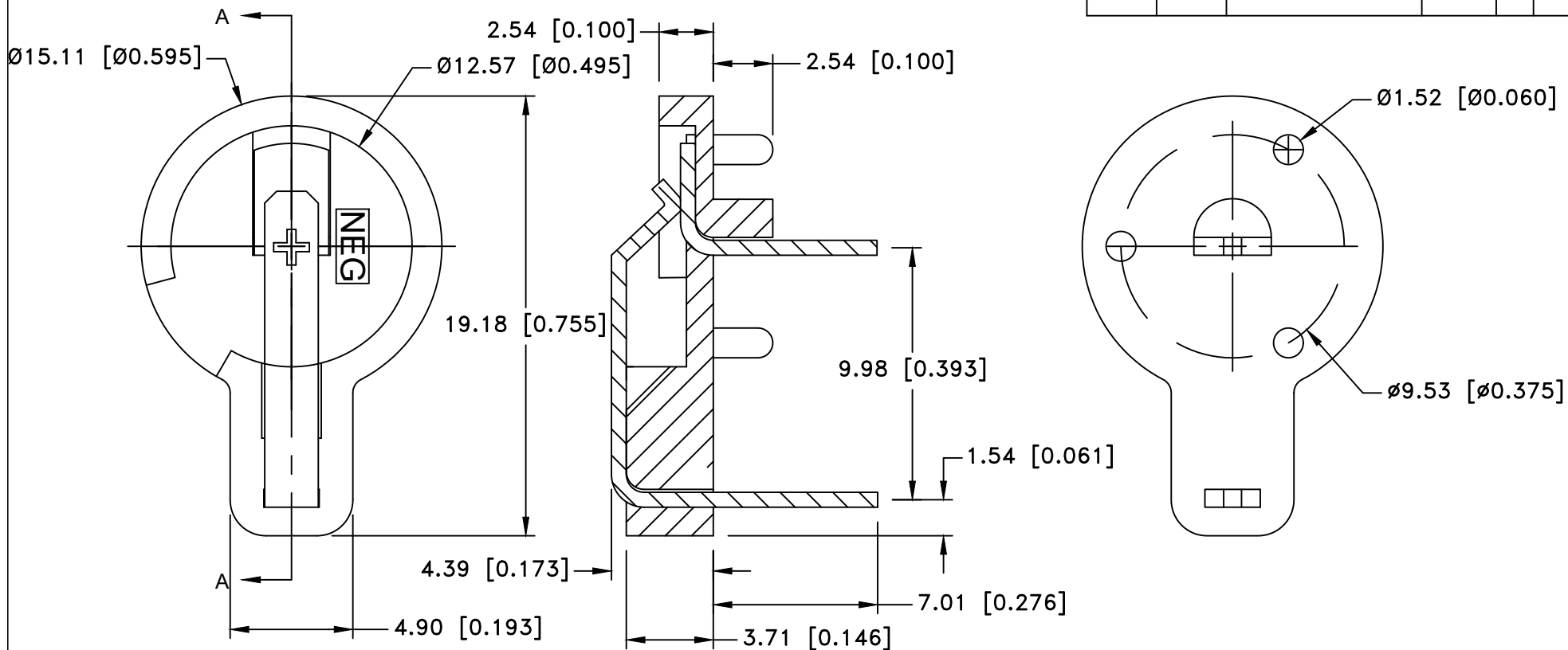


PCB LAYOUT

Date	SYM	REVISION RECORD	AUTH	DR.	CK.
12/06/13	F	Updated Positive contact cross section view to mach part	T.B.	B.S.	
10/31/19	G	Added weight of the part	T.B.	B.S.	
08/21/24	H	Added UL file no. for material	D.L.	B.S.	



NOTES:

MATERIAL:


HOLDER: PBT POLYESTER, BLACK, UL94V-0
 UL FILE NO. E45587

POS. CONT.: PHOSPHOR BRONZE, SPRING TEMPER, NICKEL PLATED.

NEG. CONT.: PHOSPHOR BRONZE, SPRING TEMPER, NICKEL PLATED.

APPROXIMATE WEIGHT: 1.14g

ROHS COMPLIANT

Tolerance (Except as noted)	 Memory Protection Devices, Inc 200 Broad Hollow Road, Farmingdale, New York 11735		
	decimal $\pm .5$ (.020)	Scale	Drawn By B.S. Approved By D.L.
Fractional $\pm .8$ (.030)	Title COIN CELL HOLDER		
Angular $\pm 3^\circ$	Date 08/21/24	Drawing Number BH501	