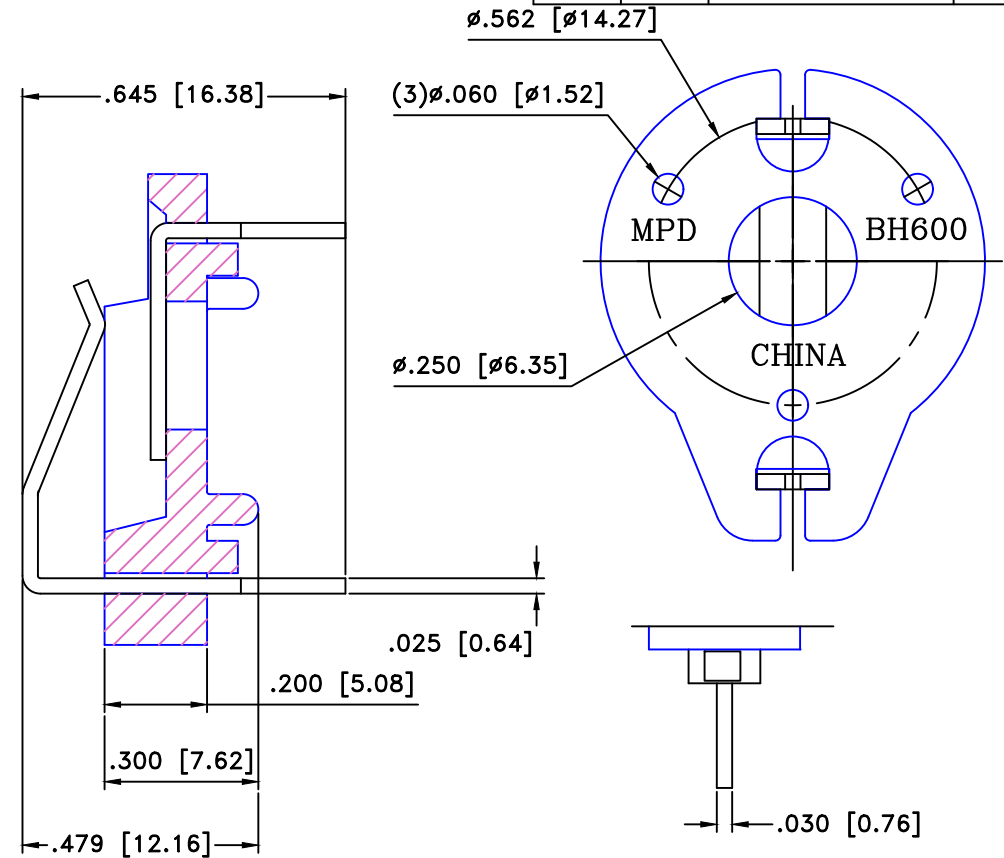
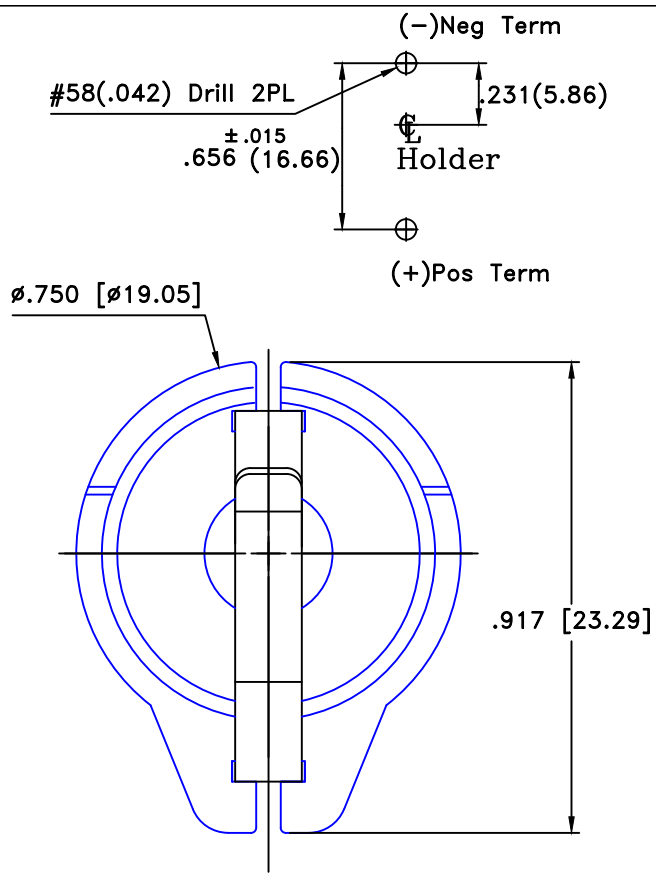



Date	SYM	REVISION RECORD	AUTH	DR.	CK.
08/21/24	J	Dim. .645 was .630 Dim. .479 was .460 Dim. .917 was .920 Added Dim. .025 and .030 Material was 302 STN. STL.	D.L.	B.S.	



Square Contact Detail

SPECIFICATIONS

- *Holder material—thermoplastic, black PBT
- *Flammability rating—UL94V-0, File No.E45587
- *Contacts—302 spring temper stainless steel nickel plated overall
- *Dielectric strength—560volts/mil at 25°C for 5seconds
- *Temperature range— -55° to +180°C
- *Resistance to solvents—Xylene,ethyl,butyl,methyl&proptl alcohol;ethyl acetate,heptane;toluene;refrigerant
- * Approximate weight: 1.85g
- *ROHS COMPLIANT

Tolerance (Except as noted)	 Memory protection Devices, Inc 200 Broad Hollow Road, Farmingdale, New York 11735		
decimal ±.5 (.020)		Scale 4=1	Drawn By T.S.
Fractional ± .8 (.030)	Title COIN CELL HOLDER, ø16mm by 5.8mm TALL OR VARTA V80H BATTERIES		
Angular ± 3°	Date 08/21/24	Drawing Number BH600-5.8	
		Approved By D.L.	