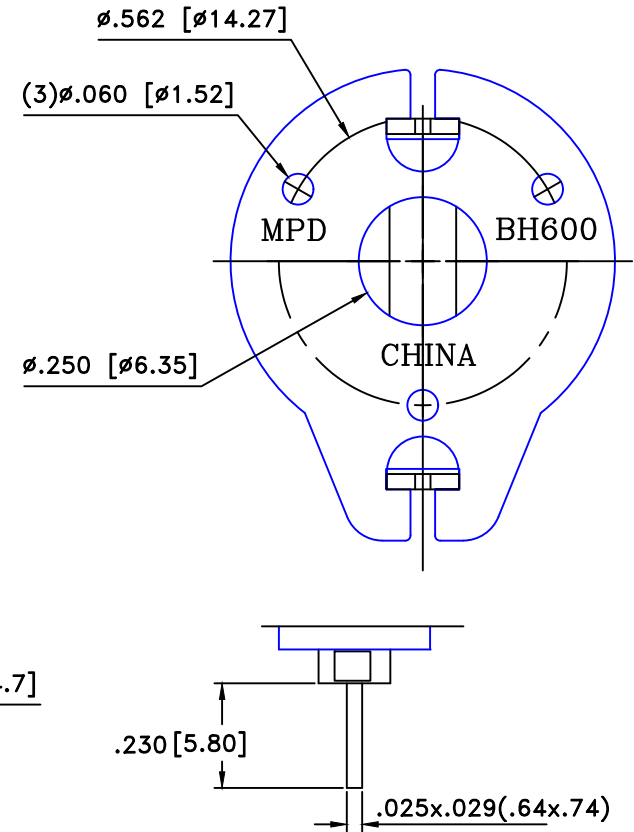
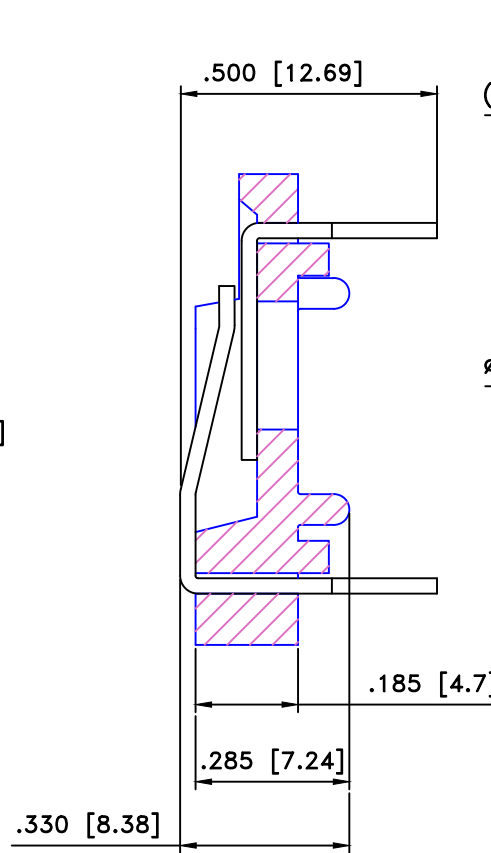
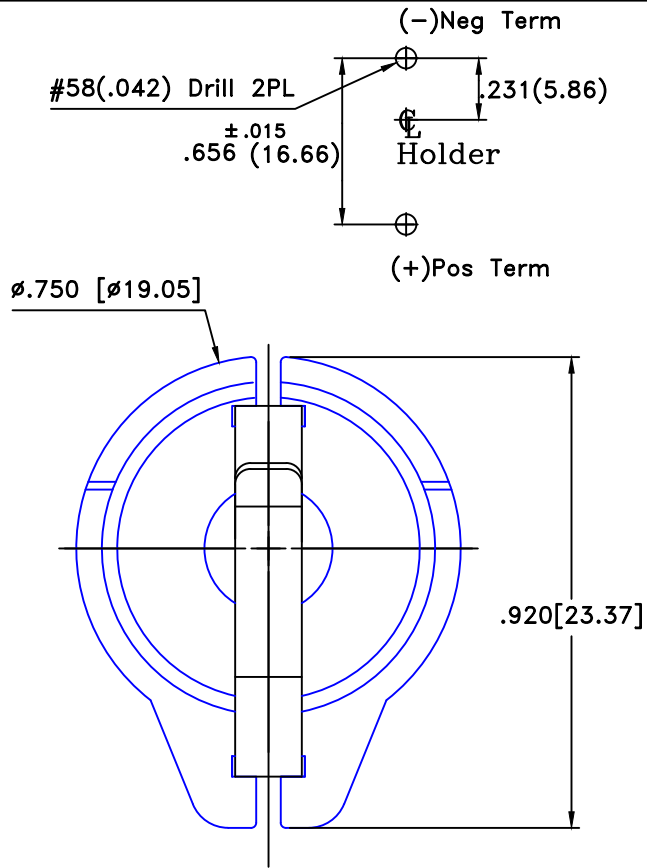



| Date | SYM | REVISION RECORD | AUTH | DR. | CK. |
|----------|-----|--|------|------|-----|
| 06/21/23 | G | Updated UL File number | T.B. | B.S. | |
| 08/11/23 | H | Dim. .185 was .200 Dim. .285 was .300 | D.L. | B.S. | |



Square Contact Detail

SPECIFICATIONS

- *Holder material—thermoplastic, black PBT
 - *Flammability rating—UL94V-0, File No.E53664
 - *Contacts—302 spring temper stainless steel nickel plated overall
 - *Dielectric strength—560volts/mil at 25°C for 5seconds
 - *Temperature range— -55° to +180°C
 - *Resistance to solvents—Xylene,ethyl,butyl,methyl&proptl alcohol;ethyl acetate,heptane;toluene;refrigerant
- Approximate weight: 1.74g
- *ROHS COMPLIANT

| | | | |
|--------------------------------|---|-------------------------|-----------------------------------|
| Tolerance (Except as noted) |  Memory protection Devices, Inc 200 Broad Hollow Road, Farmingdale, New York 11735 | | |
| decimal ±.5 (.020) | | Scale 4=1 | Drawn By B.S. Approved By D.L. |
| Fractional ± .8 (.030) | Title BR/CR/DL 1620/1632 COIN BATTERY HOLDER | | |
| Angular ± 3° | Date 08/11/23 | Drawing Number BH600 | |