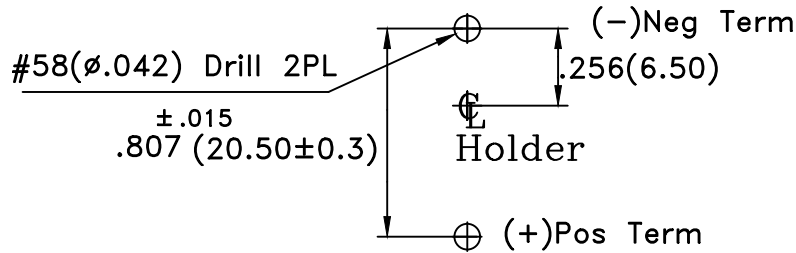


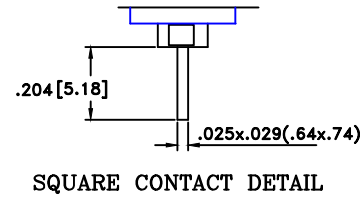
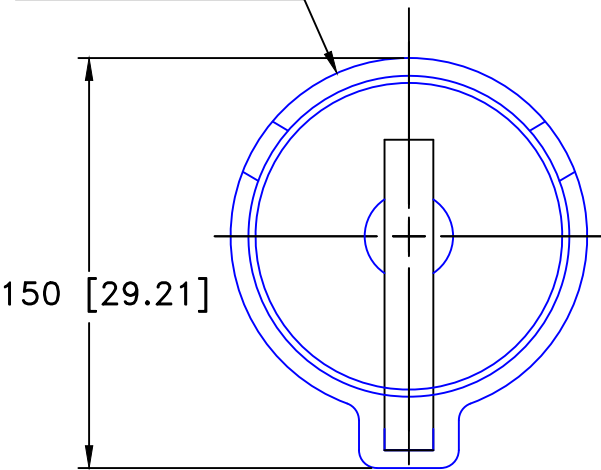
PCB LAYOUT

Date	SYM	REVISION RECORD	AUTH	DR.	CK.
12/12/19	E	ADDED WEIGHT OF THE PART	T.B.	B.S.	
08/21/24	F	UPDATED UL FILE NO.	D.L.	B.S.	

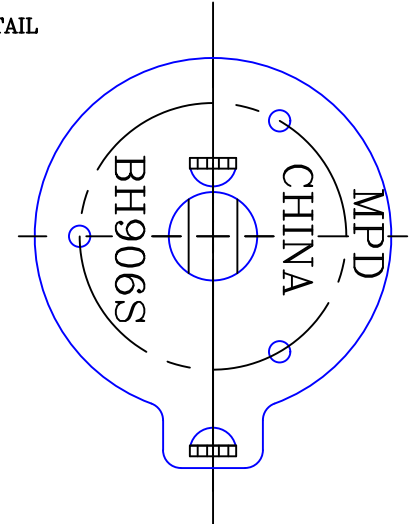
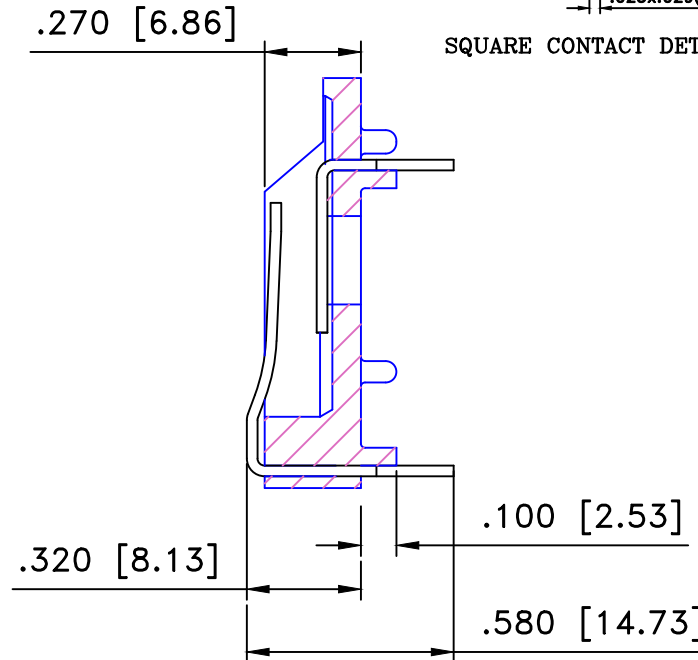


ø1.00 [ø25.40]

1.150 [29.21]




SQUARE CONTACT DETAIL



SPECIFICATIONS

- *Holder material—thermoplastic, black PBT
- *Flammability rating—UL94V-0, File No.E45587
- *Contacts—302 spring temper stainless steel nickel plated overall
- *Dielectric strength—560volts/mil at 25°C for 5seconds
- *Temperature range— -55° to +180°C
- *Resistance to solvents—Xylene,ethyl,butyl,methyl&proptl alcohol;ethyl acetate,heptane;toluene;refrigerant
- *Approximate weight: 2.90g
- * ROHS COMPLIANT

Tolerance (Except as noted)	 Memory protection Devices, Inc 200 Broad Hollow Road, Farmingdale, New York 11735	Scale	Drawn By B.S.
		decimal ±.5 (.020)	4=1
Fractional ± .8 (.030)	Title CR2354 OR TWO BR2325 BATTERY		
Angular ± 3°	Date 08/21/24	Drawing Number BH906S	