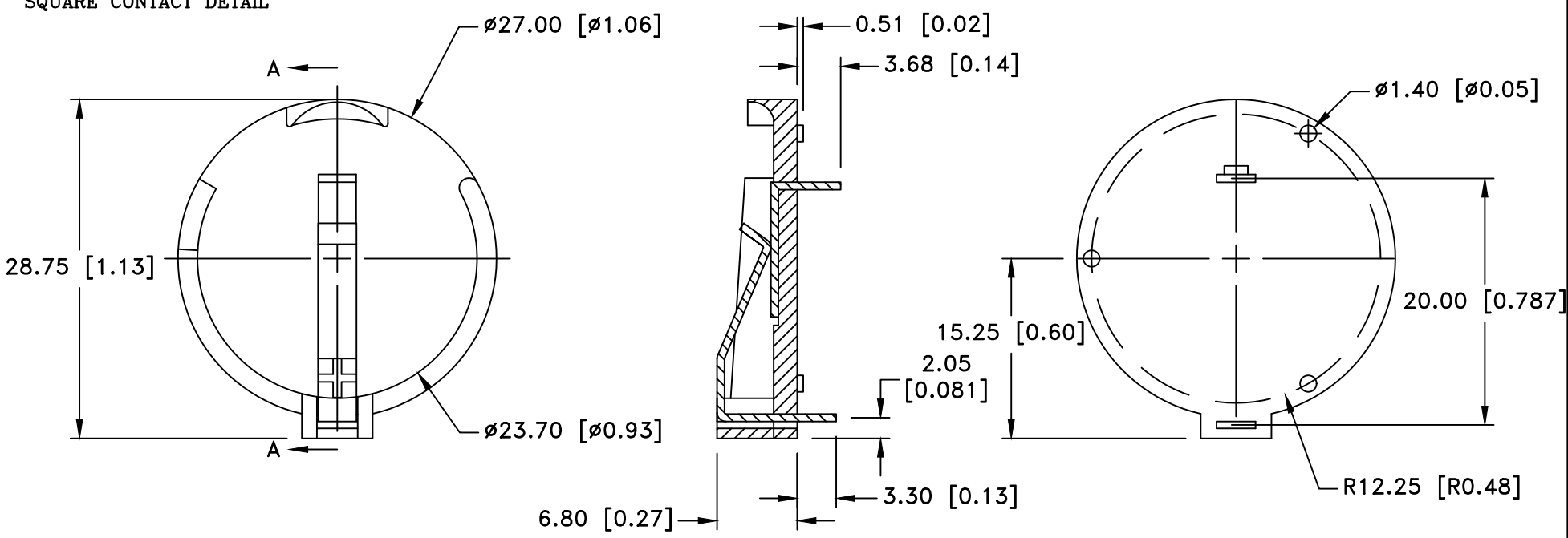



Date	SYM	REVISION RECORD	AUTH	DR.	CK.
11/07/19	J	Added weight of the part	T.B.	B.S.	
08/22/24	K	Updated UL File No.	D.L.	B.S.	



NOTES:

MATERIAL:

HOLDER: PBT, BLACK, UL94V-0, UL FILE NO. E45587
 POS. CONT.: PHHOS-BRONZE, 0.0236" THICK, NICKEL PLATED
 NEG. CONT.: 302/304 STN. STL., 0.0236" THICK, NICKEL PLATED
 TEMPERATURE RANGE: -40°C TO 140°C
 APPROXIMATE WEIGHT: 2.61g
 ROHS COMPLIANT

Tolerance (Except as noted)	 Memory Protection Devices, Inc 200 Broad Hollow Road, Farmingdale, New York 11735		
	decimal ±.5 (.020)	Scale	Drawn By B.S. Approved By D.L.
Fractional ± .8 (.030)	Title 23mm BATTERY HOLDER WITH EASY IN-OUT		
Angular ± 3°	Date 08/22/24	Drawing Number BH908T-C	