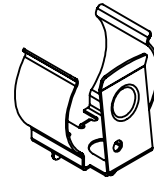
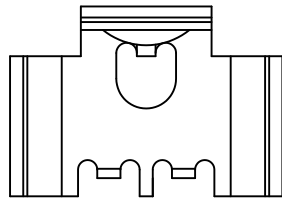
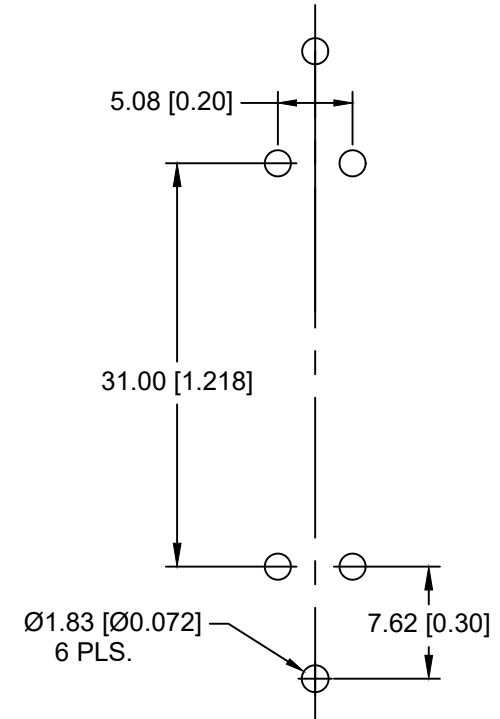
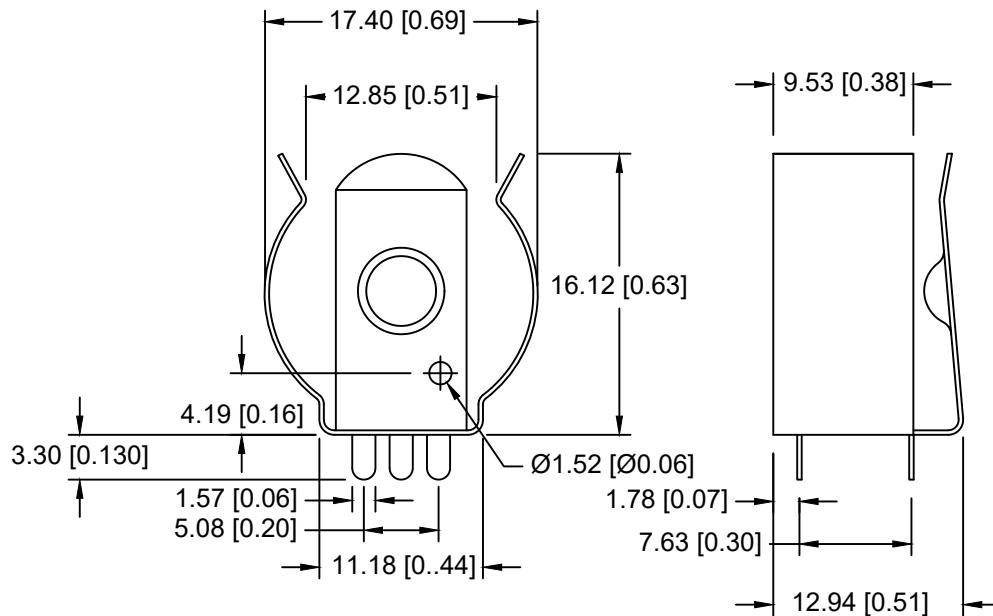


Date	SYM	REVISION RECORD	AUTH	DR.	CK.




FULL SCALE



PCB LAYOUT

NOTES:

- MATERIAL:  
0.012" THICK 301 STAINLESS STEEL, SPRING  
TEMPER, NICKEL PLATED
- PROTECTION CIRCUITS REQUIRED FOR LITHIUM-ION  
BATTERIES

Tolerance (Except as noted)	 <b>Memory Protection Devices, Inc</b> 200 Broad Hollow Road, Farmingdale, New York 11735		
decimal ±.5 (.020)		Scale	Drawn By B.S.
Fractional ± .8 (.030)	Title PC CLIP FOR 18mm BATTERIES		
Angular ± 3°	Date 05/14/24	Drawing Number BK-17500-CLIP-PC	
		Approved By D.L.	