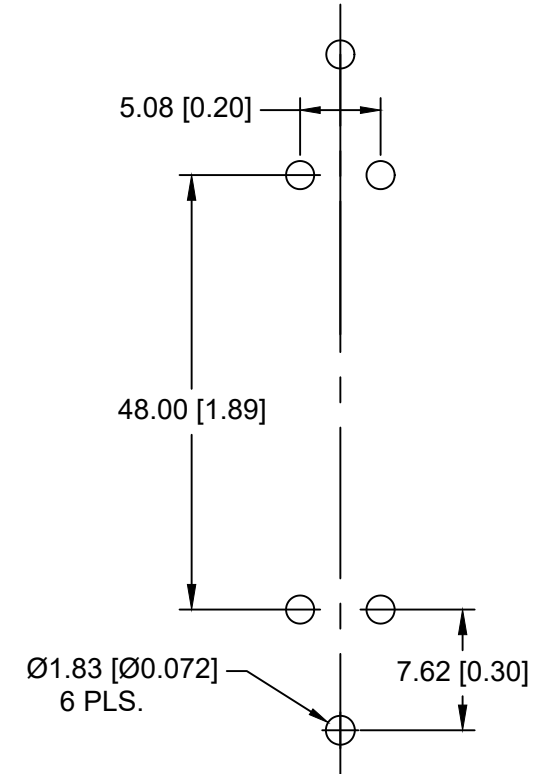
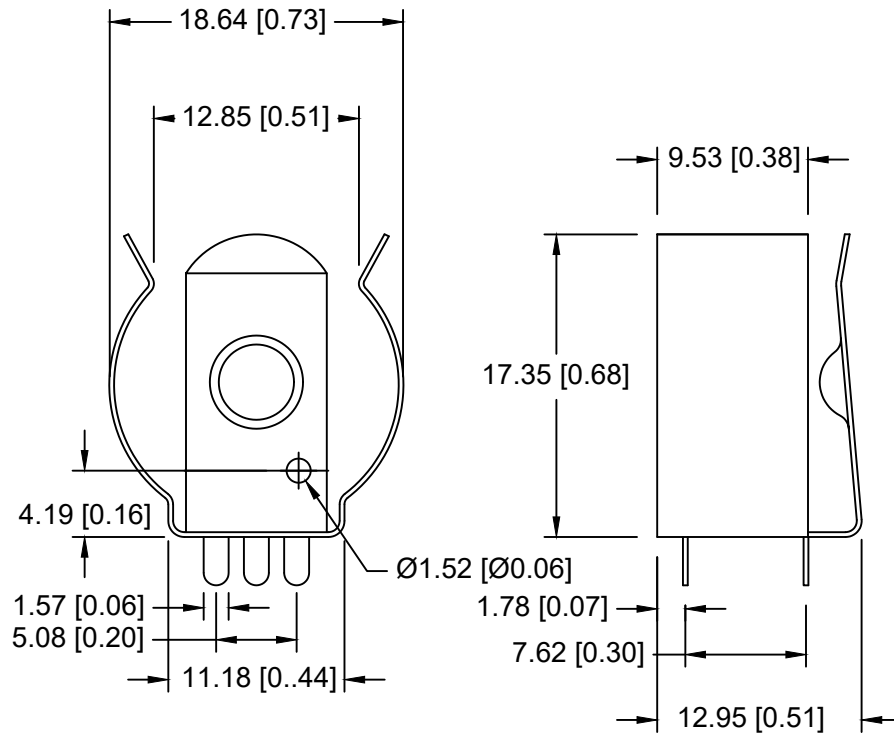



Date	SYM	REVISION RECORD	AUTH	DR.	CK.
09/14/23	A	Dim. 11.18 was 11.13 Material was Spring steel	D.L.	B.S.	



PCB LAYOUT

NOTES:

1. MATERIAL:
0.012" THICK ANNEALED STAINLESS STEEL, NICKEL PLATED

Tolerance (Except as noted)	 Memory Protection Devices, Inc 200 Broad Hollow Road, Farmingdale, New York 11735		
	decimal ±.5 (.020)	Scale	Drawn By B.S.
Fractional ± .8 (.030)	Title PC CLIP FOR 18mm BATTERIES		
Angular ± 3°	Date 09/14/23	Drawing Number BK-18650-CLIP	
		Approved By D.L.	