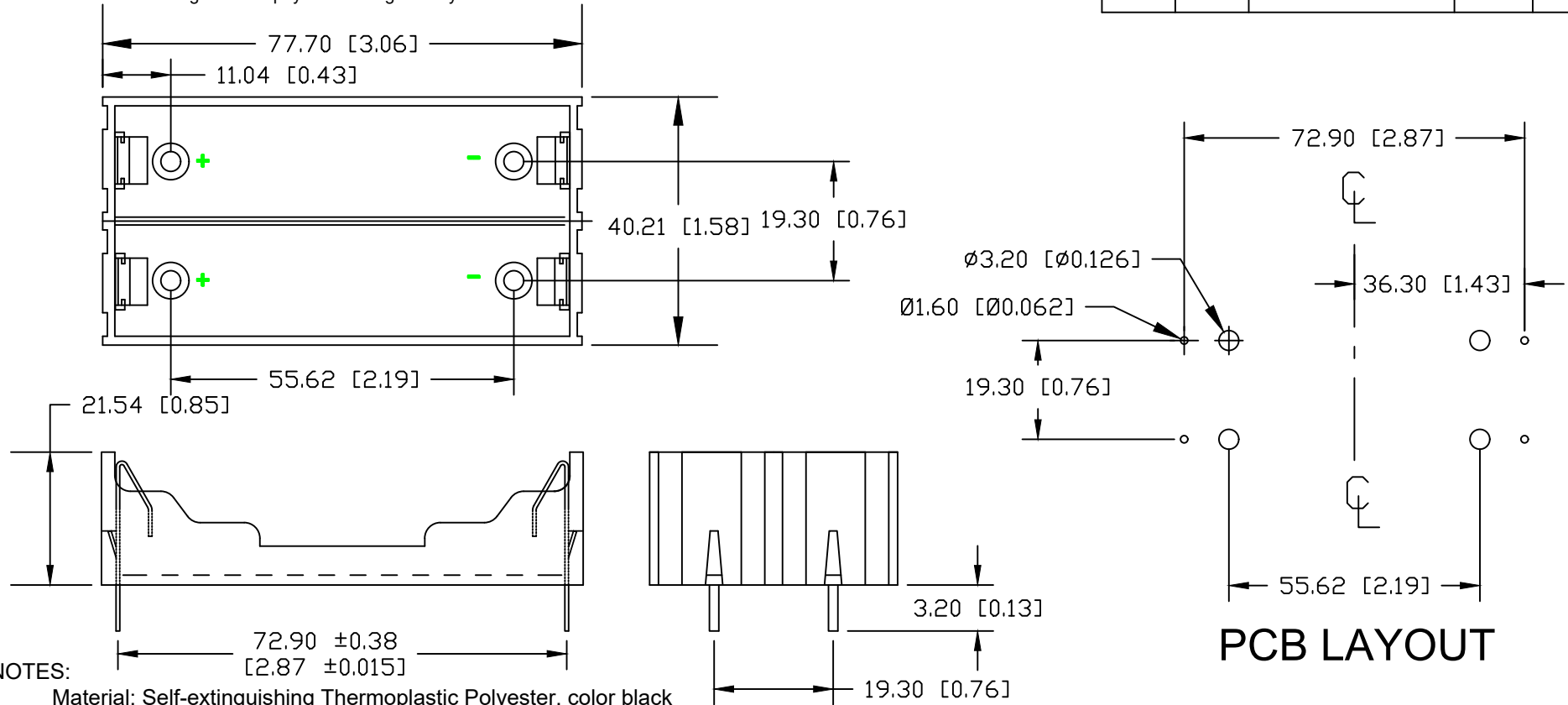


Tested with part #BK-18650-PC4-COVER
 Vibration Test: 10-55-10 Hz swept in 60 seconds
 X,Y,Z direction: 1 hour each direction
 Result: No dislodgement of the cell or damage
 Shock Test: Half sine wave acceleration 80G. 6 micro-seconds
 3 shock pulses each direction per axis
 Result: No evidence of physical damage.
 Drop Test: Mounted on board and dropped 1 time, 1 side from 1 m.
 high to wooden floor.
 Result: No dislodgement or physical damage of any cells.


This battery holder is designed for use with
 protected 18650 batteries (PCB)

Date	SYM	REVISION RECORD	AUTH	DR.	CK.
10/19/23	L	ADDED UL FILE NO.	T.B.	B.S.	
05/13/24	M	ADDED TEST DATA	D.L.	B.S.	
08/21/24	N	UPDATED UL FILE NO.	D.L.	B.S.	



NOTES:
 Material: Self-extinguishing Thermoplastic Polyester, color black
 Temperature Range: -40°C to +180°C
 Contacts: 302 Stainless Steel Spring Temper, Nickel Plated
 Flammability Rating: UL 94V-0, UL File # E45587
 Dielectric Strength: 560 Volts/Mil. at 25°C for 5 Sec.
 Resistance to Solvents: Xylene, ethyl, butyl, methyl & toluene
 Weight: 19.55g.
 ROHS COMPLIANT

Mounting Instruction:
 Use 2-56 machine screws or eyelets 0.089" OD
 by 0.15" flange stimpson GS-3 series or equivalent.
 also adhesives and double sided tapes work well.

Tolerance (Inches)	 Memory Protection Devices, Inc 200 Broad Hollow Road, Farmingdale, New York 11735		
Decimal ±.5 (.020)		Scale	Drawn By B.S.
Fractional ±.8 (.030)	Title TWO 18650 LI-ION CELL HOLDER		
Angular ± 3°	Date 08/21/24	Drawing Number BK-18650-PC4	
		Approved By D.L.	