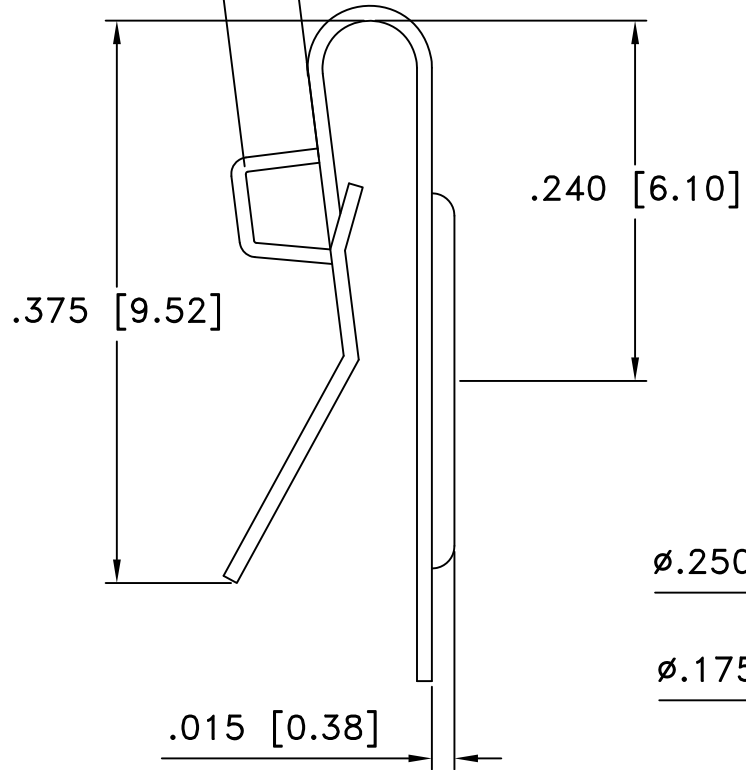


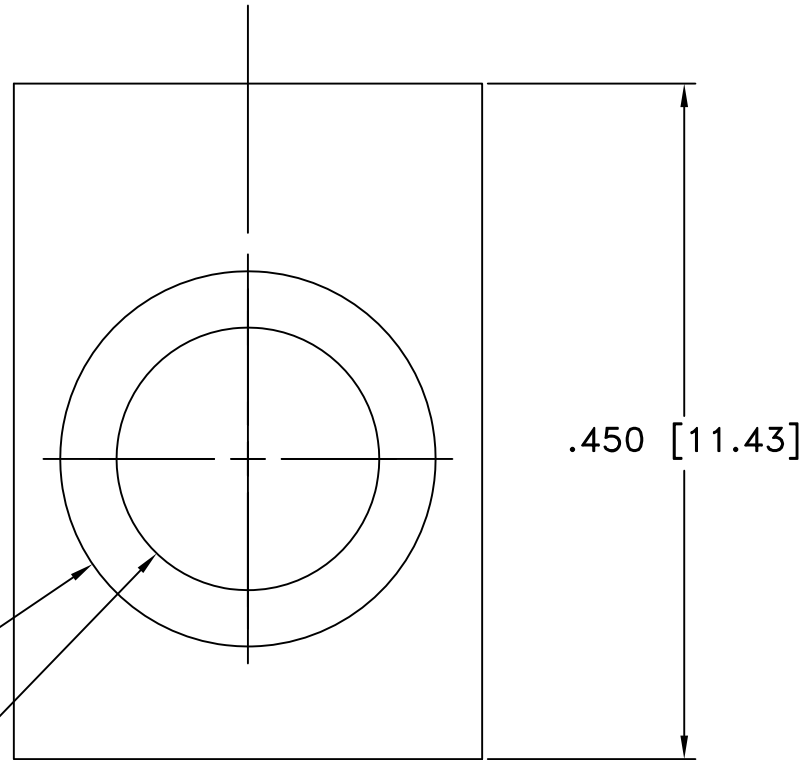
Date	SYM	REVISION RECORD	AUTH	DR.	CK.
03/23/12	A	REDRAWN ADDED ROHS COMPLIANT	T.B.	B.S.	
11/21/14	B	UPDATED TO ROHS 2 COMPLIANT	T.B.	B.S.	

.062 (1.57)




∅.250 [∅6.35]

∅.175 [∅4.45]



MATERIAL:
0.010" SPRING TEMPER STAINLESS STEEL, NICKEL
PLATED
ROHS 2 COMPLIANT

Tolerance (Except as noted)	 Memory protection Devices, Inc 200 Broad Hollow Road, Farmingdale, New York 11735		
decimal ±.020 (.5)		Scale XX	Drawn By T.S. Approved By T.B.
Fractional ± .030 (.8)	Title BATTERY CONTACT, POSITIVE, AA		
Angular ± 3°	Date 11/21/14	Drawing Number BK-228	