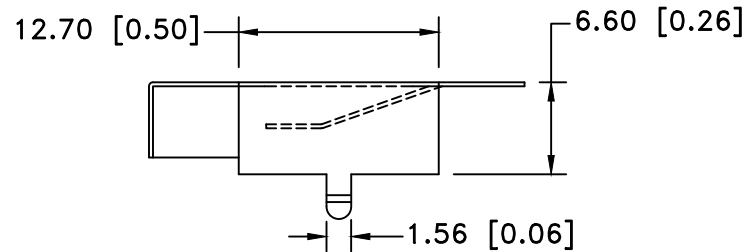
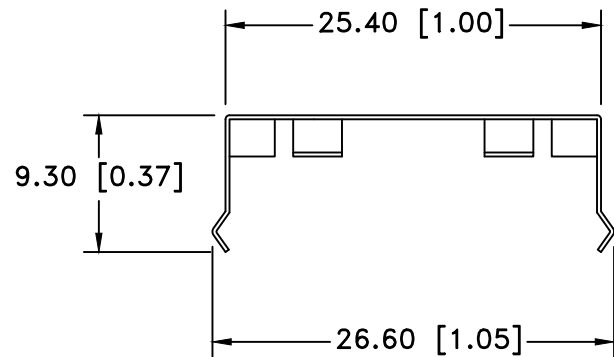
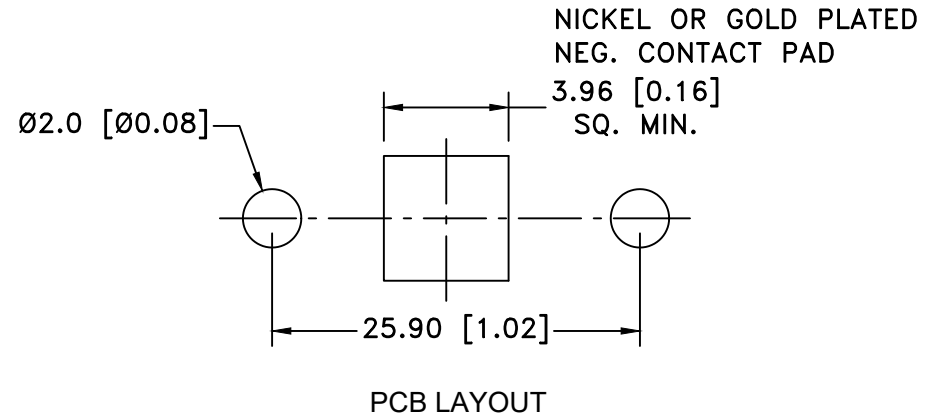
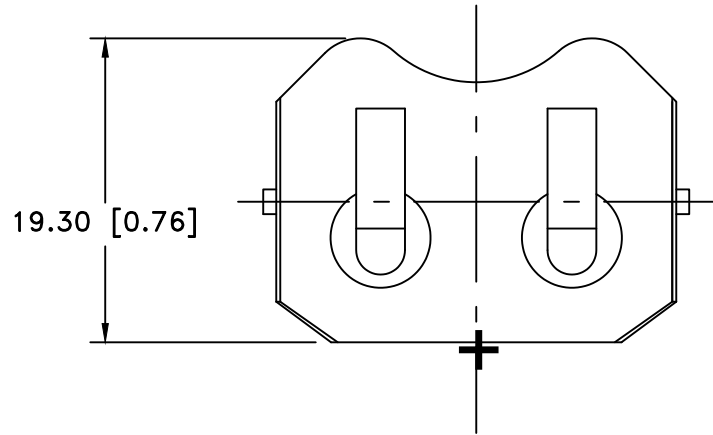



Date	SYM	REVISION RECORD	AUTH	DR.	CK.
09/07/18	F	UPDATED PAD NOTE	T.B.	B.S.	
12/12/19	G	ADDED WEIGHT OF THE PART	T.B.	B.S.	



NOTES:

1. MATERIAL:
.008" THICK PHOSPHOR BRONZE, NICKEL PLATED.
2. ROHS COMPLIANT
3. APPROXIMATE WEIGHT: 1.39g

Tolerance (Except as noted)	 Memory Protection Devices, Inc 200 Broad Hollow Road, Farmingdale, New York 11735		
decimal ±.5 (.020)		Scale	Drawn By B.S.
			Approved By T.B.
Fractional ± .8 (.030)	Title CR2450 BATTERY RETAINER		
Angular ± 3°	Date 12/12/19	Drawing Number BK-5033	