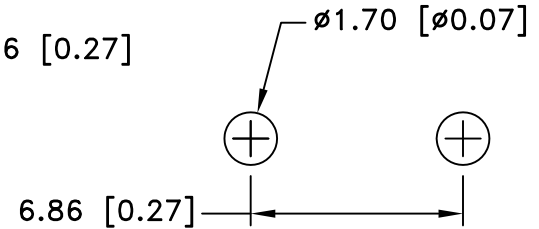
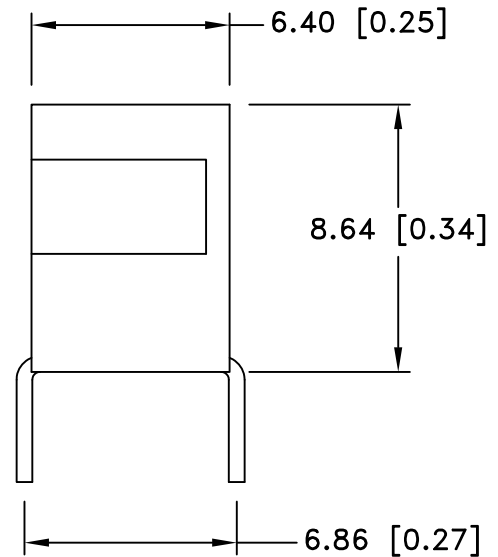
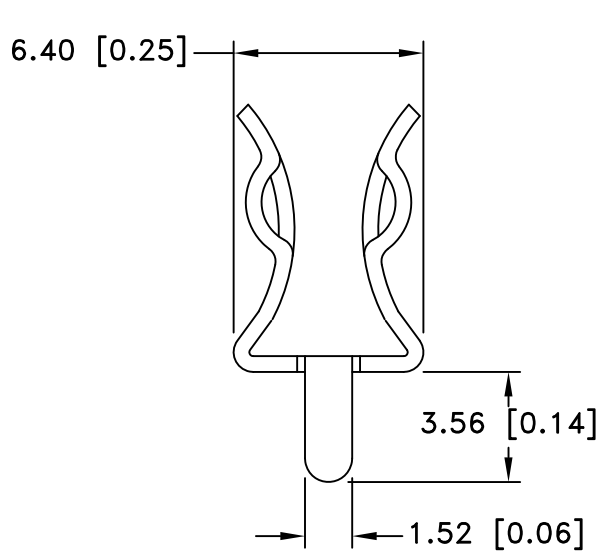



Date	SYM	REVISION RECORD	AUTH	DR.	CK.
2/07/14	A	Updated Specification	T B	B S	



MOUNTING DETAIL

**SPECIFICATION:**

- Current Rating: 15 Amps
- Fuse Entry: Vertical
- Fuse Type: Cylindrical
- Material: .020 [.51] Brass, Nickel Plate
- Mounting: THM
- Style: CLIP
- Fuse Size: 5mm
- ROHS 2 COMPLIANT

Tolerance (Except as noted)	 <b>Memory Protection Devices, Inc</b> 200 Broad Hollow Road, Farmingdale, New York 11735	Scale	Drawn By B.S.
			Approved By T.B.
decimal ±.5 (.020)	Title TRADITIONAL 2AG PC CLIP FOR 5mm DIA. FUSE		
Fractional ± .8 (.030)	Date 02/07/14	Drawing Number BK-6005	
Angular ± 3°			