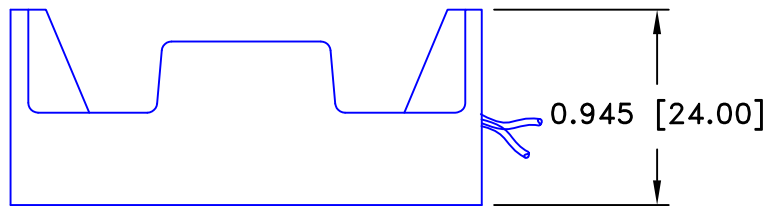
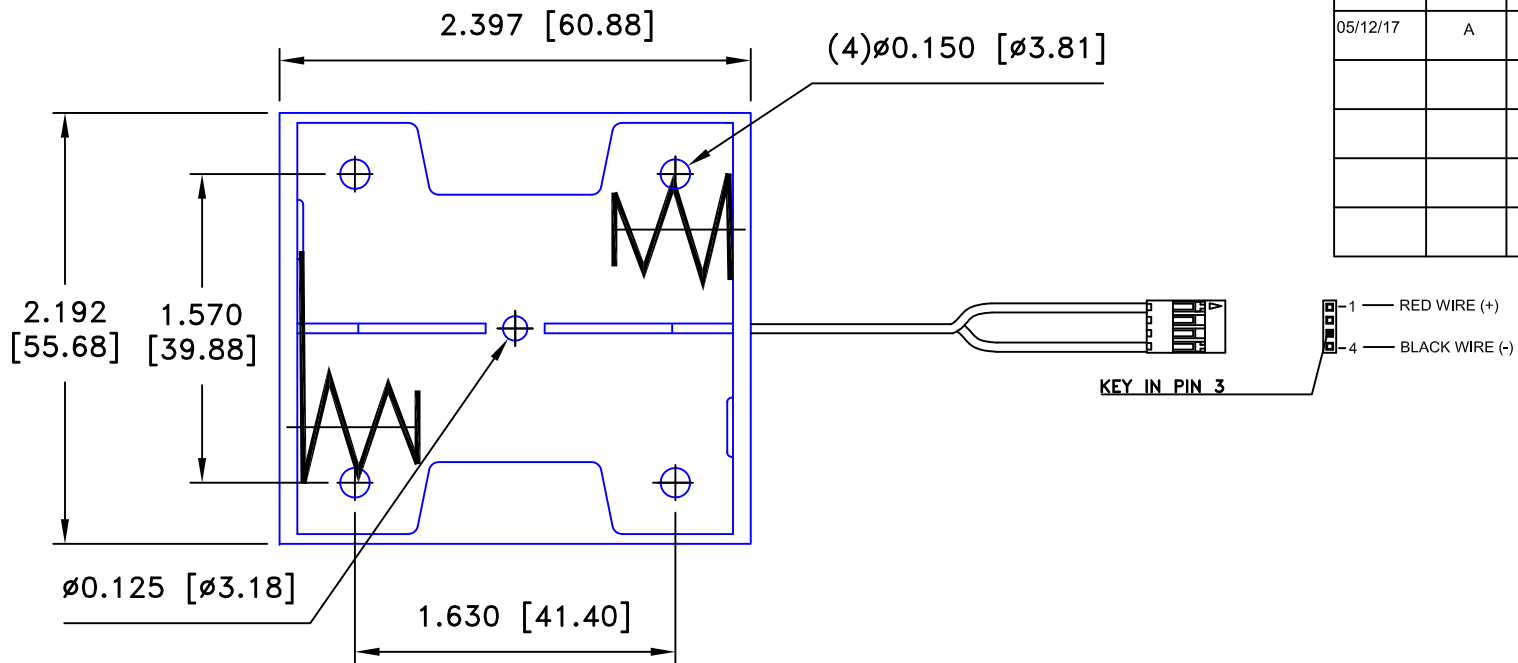
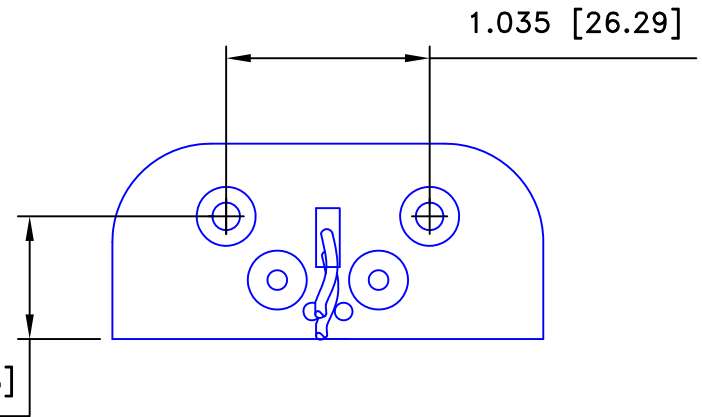


Date	SYM	REVISION RECORD	AUTH	DR.	CK.
05/12/17	A	Updated Specifications	T.B.	B.S.	




Wire Leads shown



## SPECIFICATIONS

Plastic material - Polypropylene  
 Flammability Rating -UL94-HB, UL File NO. E216959  
 Temperature Range: -10°C to +100°C  
 Springs - Nickel Plated Spring Steel  
 Wire - 6" Long, 26 AWG, UL1007, CSA  
 Rivets - Brass, Nickel Plated  
 Connector: Well-Lin part no. 7068-H-4P or Engineering Approved Equivalent  
 Contacts: Well-Lin part no. 7058-T-T-S or Engineering Approved Equivalent  
 CONTACT RESISTANCE: UNDER 50mΩ FOR +/- CONTACTS PER  
 EIA-540J000

ROHS 2 COMPLIANT

Tolerance (Except as noted)	 <b>Memory Protection Devices, Inc</b> 200 Broad Hollow Road, Farmingdale, New York 11735	Scale 1=1	Drawn By T.S.
			Approved By T.B.
decimal ±.5 (.020)	Title BH2CW WITH 4 PIN CONNECTOR		
Fractional ± .8 (.030)	Date 05/12/17	Drawing Number BK-6173	
Angular ± 3°			