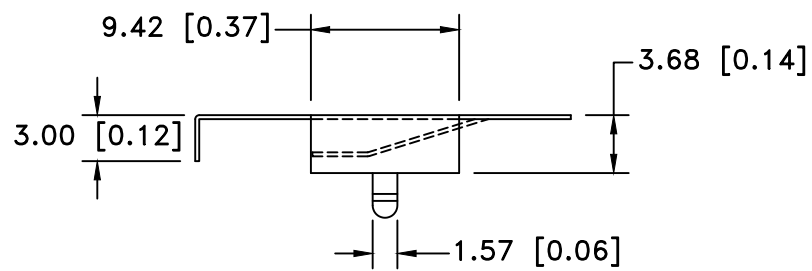
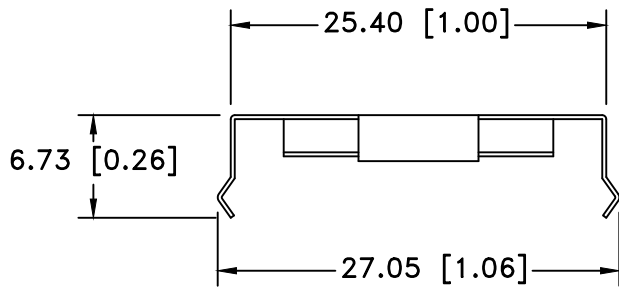
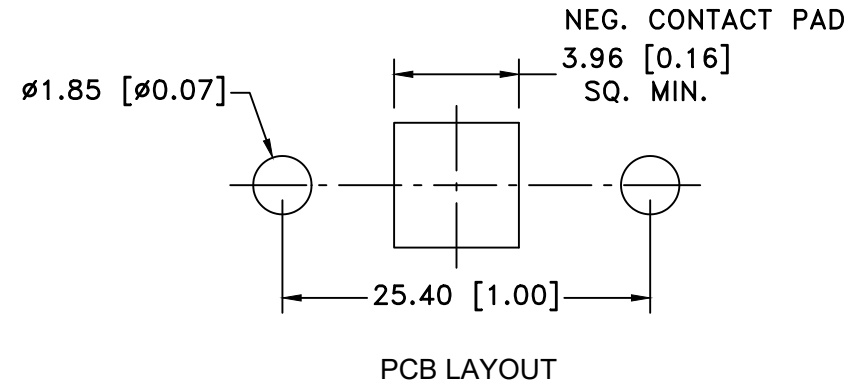
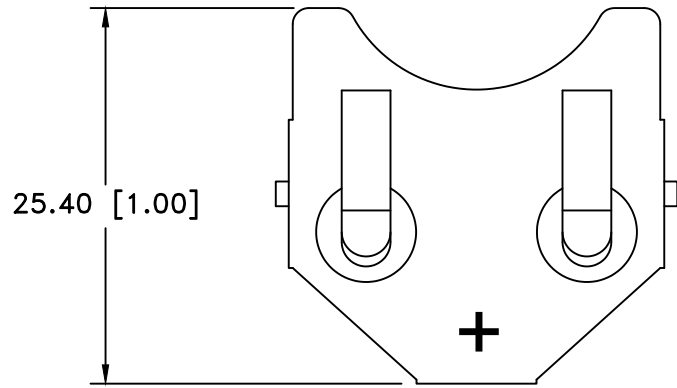



Date	SYM	REVISION RECORD	AUTH	DR.	CK.
07/22/17	D	UPDATED POSITIVE CONTACT FEATURE	T.B.	B.S.	
12/12/19	E	ADDED WEIGHT OF THE PART	T.B.	B.S.	



NOTES:

- MATERIAL:
0.25mm PHOSPHOR BRONZE, NICKEL PLATED.
- ROHS COMPLIANT
- APPROXIMATE WEIGHT: 1.18g

Tolerance (Except as noted)	 Memory Protection Devices, Inc 200 Broad Hollow Road, Farmingdale, New York 11735		
decimal ±.5 (.020)		Scale	Drawn By B.S.
Fractional ± .8 (.030)	Title COIN CELL RETAINER FOR 24mm DIA. BATTERIES		
Angular ± 3°	Date 12/12/19	Drawing Number BK-887	
Approved By T.B.			

CELL SIZE	RETAINS BATTERY NUMBERS
24mm	CR2430, DL2430