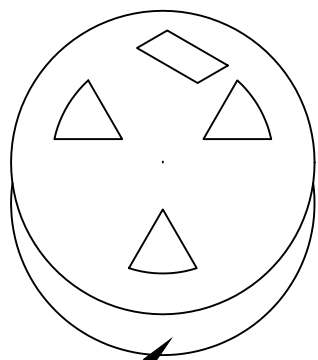
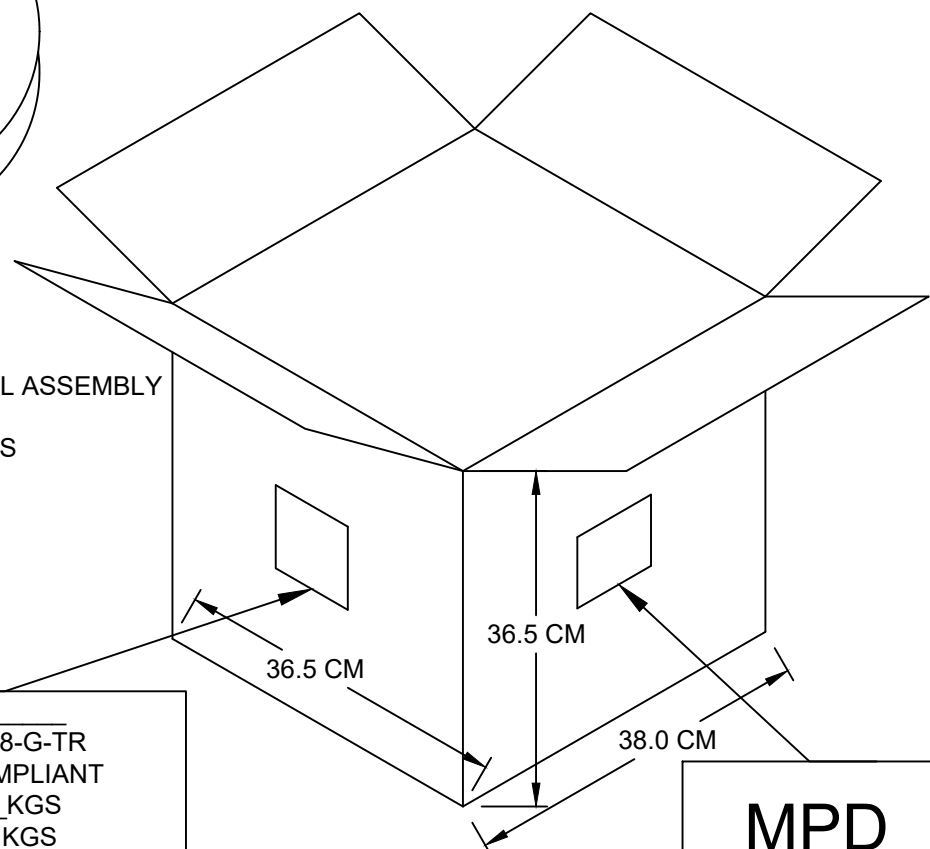


Date	SYM	REVISION RECORD	AUTH	DR.	CK.



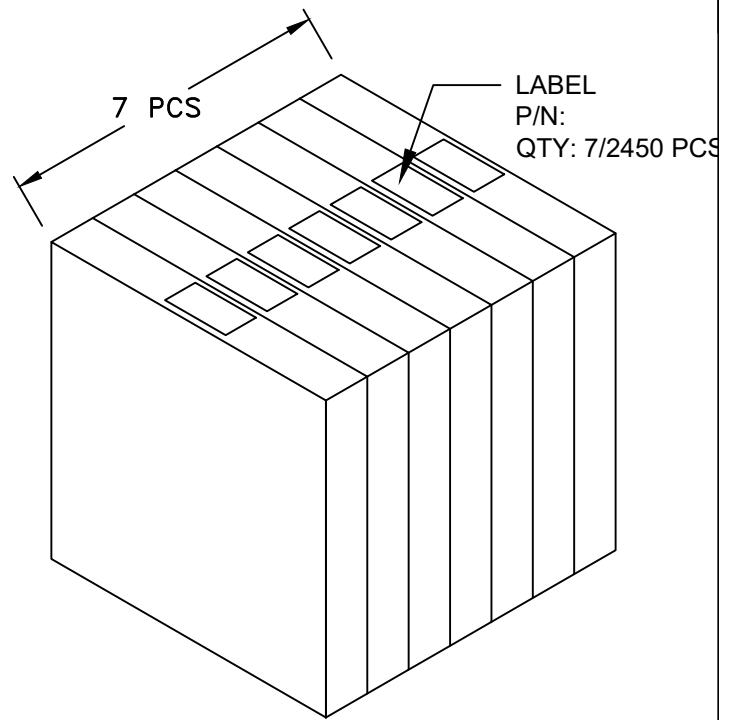
TAPE AND REEL ASSEMBLY  
P/N  
QTY: 7/2450 PCS



PO: \_\_\_\_\_  
P/N: BK-888-G-TR  
ROHS COMPLIANT  
N.W. 2.2 \_\_\_ KGS  
G.W.: 7 \_\_\_ KGS  
QTY: 2450 PCS  
MEAST: 38x36.5x36.5 CM  
REV: \_\_\_\_\_  
D.C.: \_\_\_\_\_  
CTN: \_\_\_\_\_ OF \_\_\_\_\_  
  
MADE IN CHINA


MARKING FOR RIGHT SIDE - 2 SIDES

- NOTES:
- D.C.: WW            YY  
          WEEK        YEAR
  - REV.:-----BOM REV.
  - PRINT REV. AND D.C. ON CARTON



**MPD**

MARKING FOR FRONT SIDE - 2 SIDES

Tolerance (Except as noted)	 <b>Memory Protection Devices, Inc</b> 200 Broad Hollow Road, Farmingdale, New York 11735		
decimal ±.5 (.020)	Scale	Drawn By B.S.	
Fractional ± .8 (.030)	Title PACKAGING FOR BK-888-G-TR		
Angular ± 3°	Date 05/13/21	Drawing Number BK-888-G-TR-BOX	

MARKING FOR RIGHT SIDE - 2 SIDES