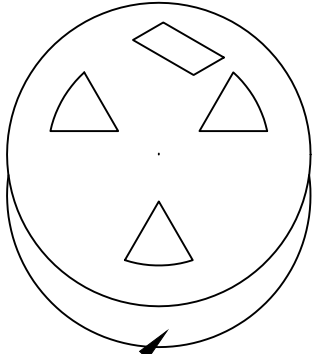
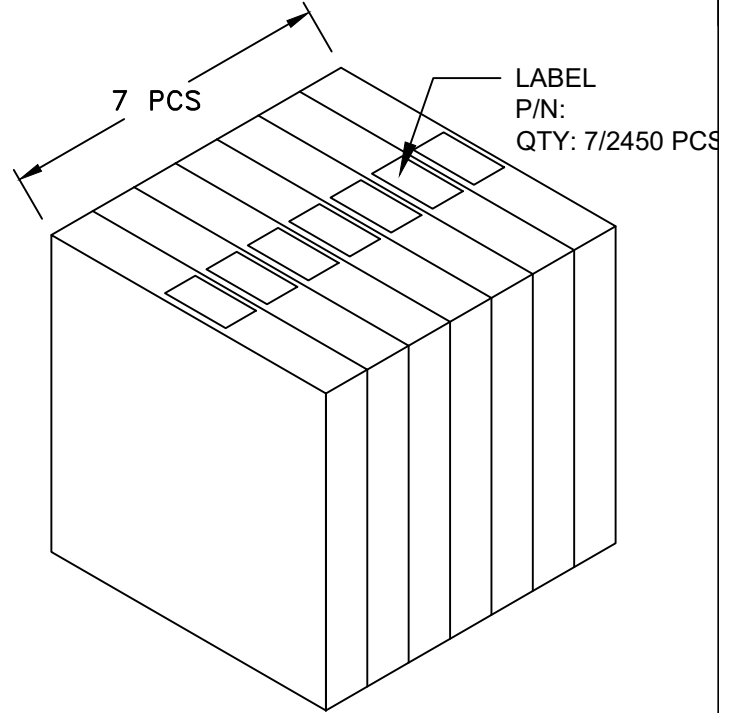
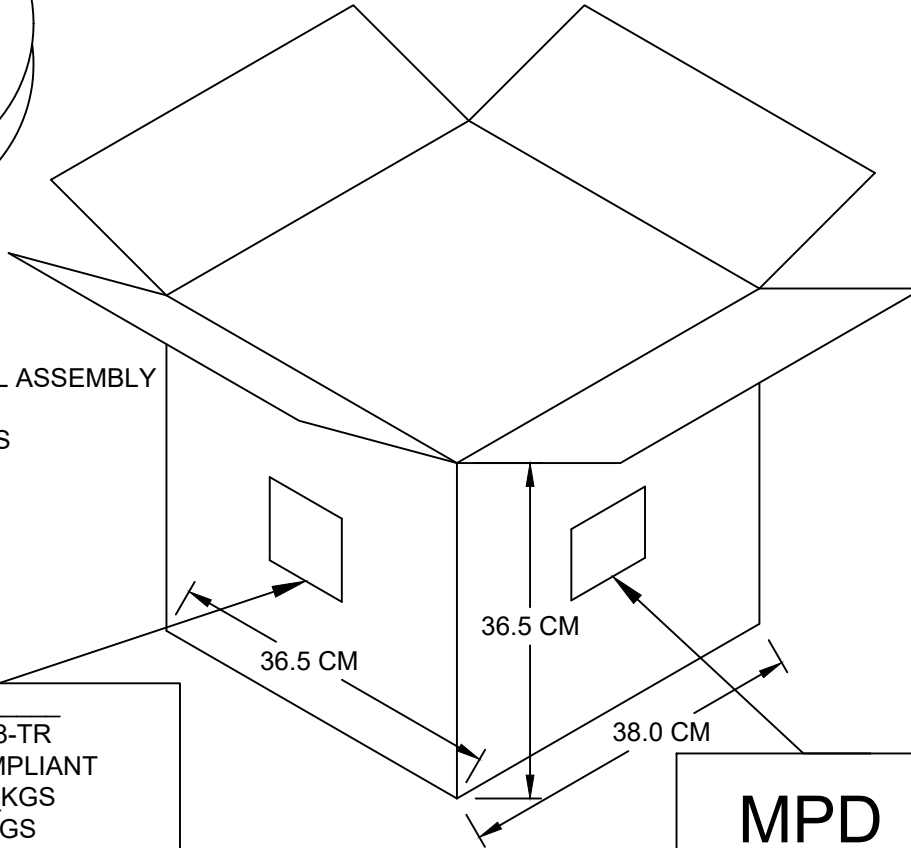


Date	SYM	REVISION RECORD	AUTH	DR.	CK.



TAPE AND REEL ASSEMBLY
P/N
QTY: 7/2450 PCS



PO: _____
P/N: BK-888-TR
ROHS COMPLIANT
N.W. 2.2 ___ KGS
G.W.: 7 ___ KGS
QTY: 2450 PCS
MEAST: 38x36.5x36.5 CM
REV: _____
D.C.: _____
CTN: _____ OF _____

MADE IN CHINA


MARKING FOR RIGHT SIDE - 2 SIDES

NOTES:

- D.C.: WW YY
 WEEK YEAR
- REV.:-----BOM REV.
- PRINT REV. AND D.C. ON CARTON



MARKING FOR FRONT SIDE - 2 SIDES

Tolerance (Except as noted)	 Memory Protection Devices, Inc 200 Broad Hollow Road, Farmingdale, New York 11735		
decimal ±.5 (.020)	Scale	Drawn By B.S.	
		Approved By T.B.	
Fractional ± .8 (.030)	Title PACKAGING FOR BK-888-TR		
Angular ± 3°	Date 05/12/21	Drawing Number BK-888-TR-BOX	