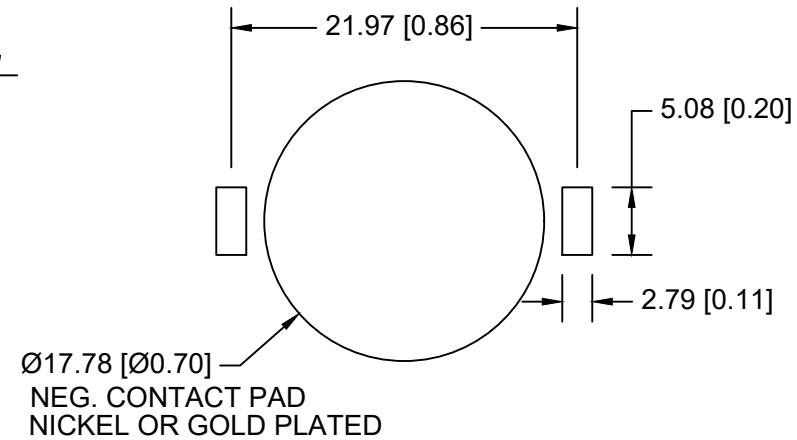
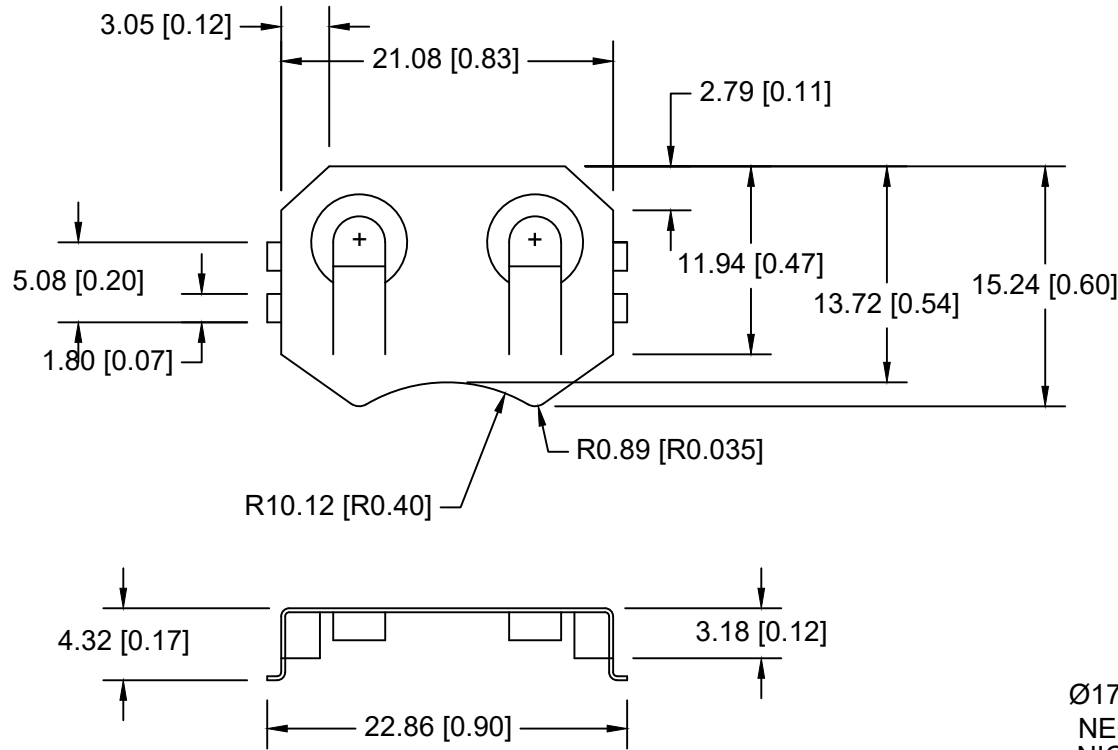


Date	SYM	REVISION RECORD	AUTH	DR.	CK.
01/15/19	H	Updated Tolerances	T. B.	B.S.	
10/18/19	J	Added Weight of the part	T. B.	B.S.	




PCB LAYOUT

Weight: 0.77g

CELL SIZE	RETAINS BATTERY NUMBERS
20mm	BR2032, CR2032, DL2032, LIR 2032, BR2025, CR2025, DL2025, LIR 2025

**SPECIFICATIONS:**

- \* 0.25mm Phosphor Bronze  $\frac{1}{2}$ H, Nickel plated
- \* Temperature Range: -40°C to +260°C
- \* Vibration test: 10-50-10 hz swept in 60 seconds  
x,y,z direction: 1 hour each direction
- \* Result: no dislodgement of the cell or damage  
no discontinuity over 10 micro-seconds
- \* Shock test: half sine wave acceleration 150g.  
6 m/s 3 shock pulses each direction per axis,  
total of 18 pulses
- \* Result: no evidence of physical damage
- \* ROHS COMPLIANT

Tolerance (Except as noted)	 <b>Memory Protection Devices, Inc</b> 200 Broad Hollow Road, Farmingdale, New York 11735		
	decimal ±.5 (.020)	Scale	Drawn By B.S. Approved By T.B.
Fractional ± .8 (.030)	Title CR2032 BATTERY RETAINER, SMD		
Angular ± 3°	Date 10/18/19	Drawing Number BK-912	