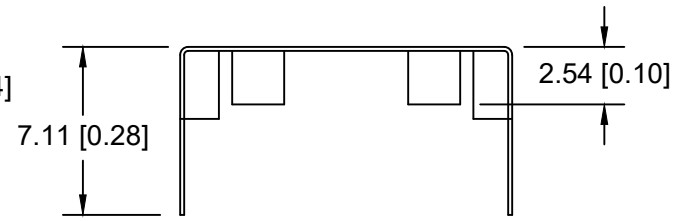
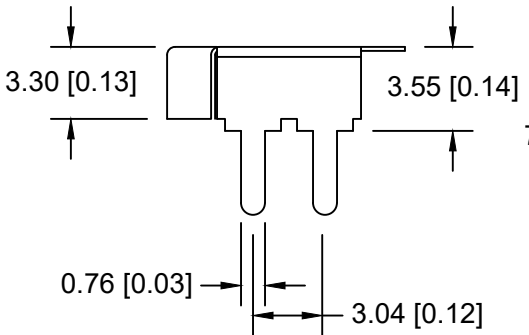
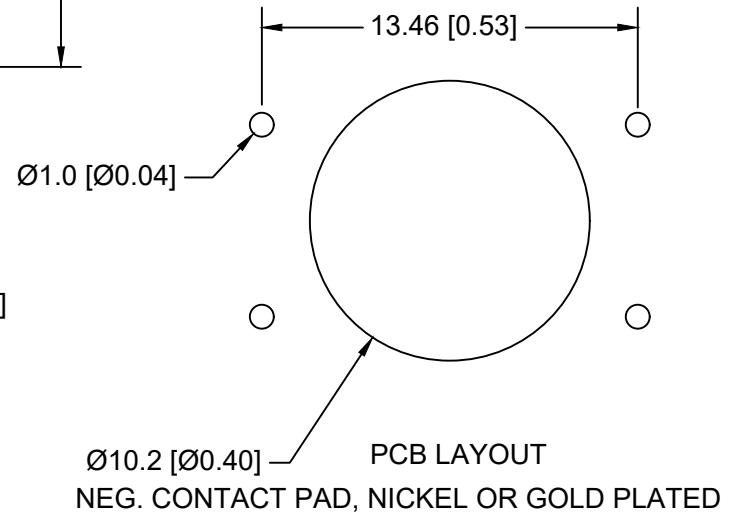
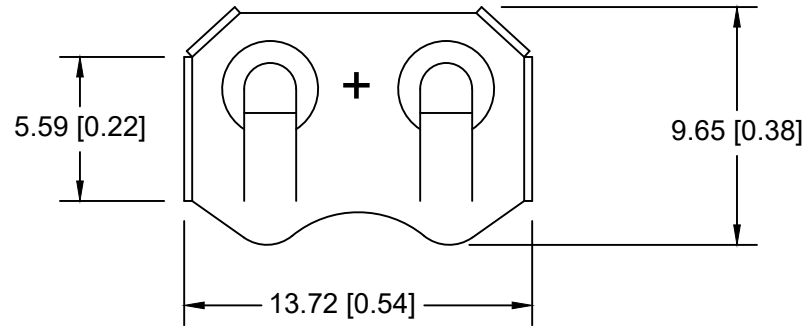



Date	SYM	REVISION RECORD	AUTH	DR.	CK.
10/31/19	A	Added weight of the part	T.B.	B.S.	



NOTES:
 1. MATERIAL:
 0.25mm PHOSPHOR BRONZE, NICKEL PLATED OVERALL.
 ROHS COMPLIANT
 TEMPERATURE RANGE: -40°C TO +270°C
 * VIBRATION TEST: 10-50-10 HZ SWEEPED IN 60 SECONDS
 X,Y,Z DIRECTION: 1 HOUR EACH DIRECTION
 * RESULT: NO DISLODGE MENT OF THE CELL OR DAMAGE
 NO DISCONTINUITY OVER 10 MICRO-SECONDS
 * SHOCK TEST: HALF SINE WAVE ACCELERATION 150G.
 6 MILLISECONDS
 3 SHOCK PULSES EACH DIRECTION PER
 AXIS, TOTAL OF 18 PULSES
 * RESULT: NO EVIDENCE OF PHYSICAL DAMAGE
 * APPROXIMATE WEIGHT: 0.42g

Tolerance (Except as noted)	 Memory Protection Devices, Inc 200 Broad Hollow Road, Farmingdale, New York 11735		
	decimal	Scale	Drawn By B.S.
±.1 (.004)			Approved By T.B.
Fractional	Title		
± .2 (.008)	CR1216,1220,1225 BATTERY RETAINER WITH PC PINS		
Angular	Date	Drawing Number	
± 1°	10/31/19	BK-917	