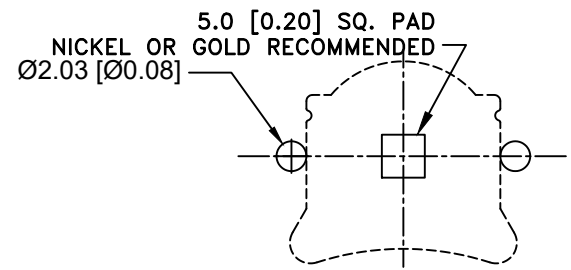
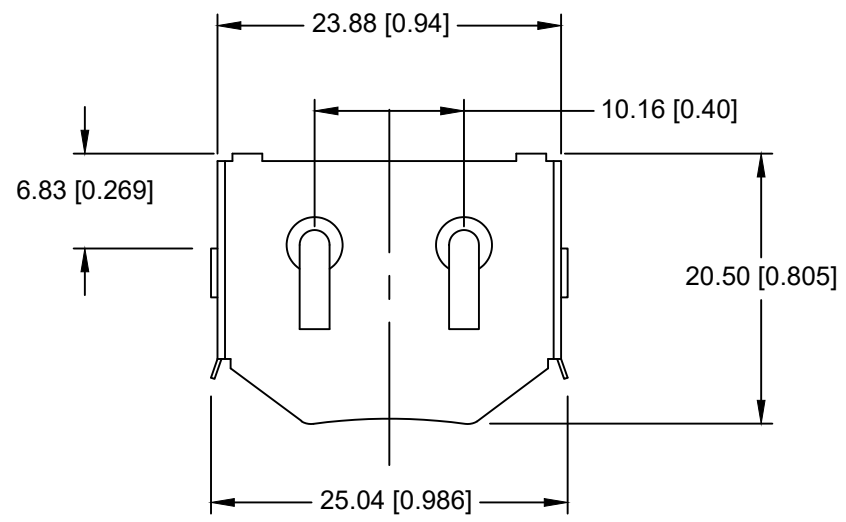
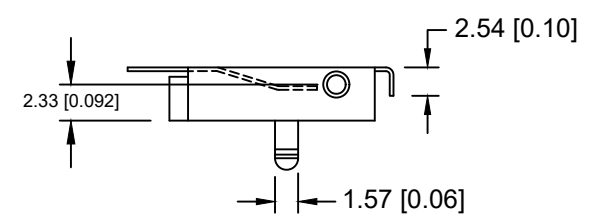
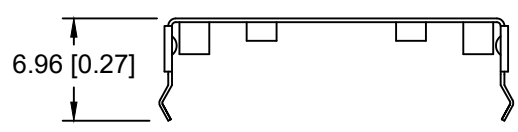


Date	SYM	REVISION RECORD	AUTH	DR.	CK.




PCB LAYOUT



SPECIFICATION

- * Contact : Phosphor Bronze C5191, Nickel Plated 80-150u thickness
 - * Vibration test: 10-50-10 hz swept in 60 seconds
x,y,z direction: 1 hour each direction
 - * Result: no dislodgement of the cell or damage
no discontinuity over 10 micro-seconds
 - * Shock test: half sine wave acceleration 150g.
6 milli-seconds 3 shock pulses each direction per axis,
total of 18 pulses
 - * Result: no evidence of physical damage
 - * ROHS COMPLIANT
- Insulator Tray P/N BRX1-0006

Weight: 0.55g

Tolerance (Except as noted)	 Memory Protection Devices, Inc 200 Broad Hollow Road, Farmingdale, New York 11735		
	decimal ±.5 (.020)	Scale	Drawn By B.S. Approved By T.B.
Fractional ± .8 (.030)	Title CR2032 THRU HOLE MOUNT BATTERY RETAINER		
Angular ± 3°	Date 05/12/22	Drawing Number BRX1-2032-PC	