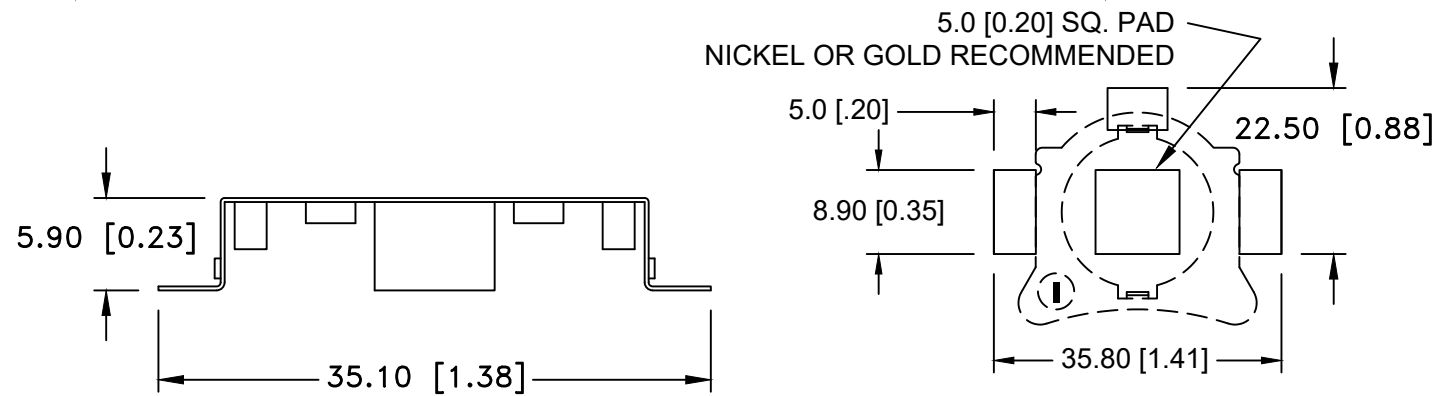
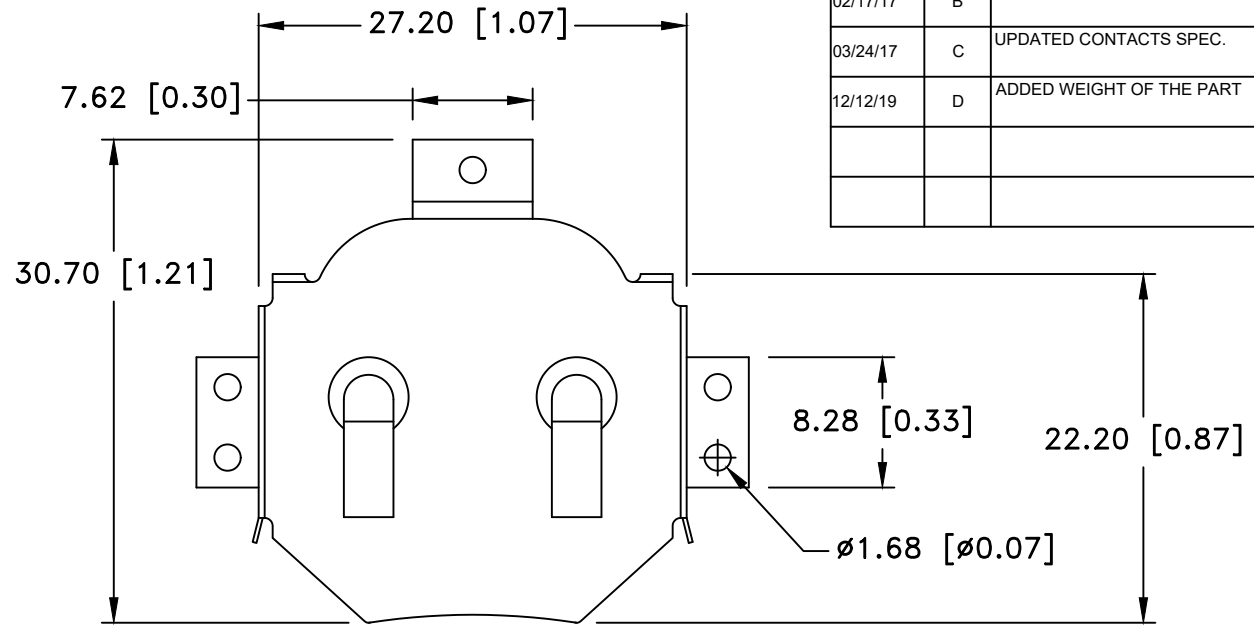



Date	SYM	REVISION RECORD	AUTH	DR.	CK.
02/17/17	B	UPDATED TITLE	T.B.	B.S.	
03/24/17	C	UPDATED CONTACTS SPEC.	T.B.	B.S.	
12/12/19	D	ADDED WEIGHT OF THE PART	T.B.	B.S.	



PCB LAYOUT

SPECIFICATIONS:

- * Contacts : Phosphor Bronze C5191, Nickel Plated
- * Vibration test: 10-50-10 hz swept in 60 seconds
x,y,z direction: 1 hour each direction
- * Result: no dislodgement of the cell or damage
no discontinuity over 10 micro-seconds
- * Shock test: half sine wave acceleration 150g.
6 milli-seconds 3 shock pulses each direction per axis,
total of 18 pulses
- * Result: no evidence of physical damage
- * Approximate weight: 1.92g
- * ROHS COMPLIANT

Tolerance (Except as noted)	 Memory Protection Devices, Inc 200 Broad Hollow Road, Farmingdale, New York 11735		
decimal ±.5 (.020)		Scale	Drawn By B.S.
Fractional ± .8 (.030)	Title CR2450 SURFACE MOUNT BATTERY RETAINER		
Angular ± 3°	Date 12/12/19	Drawing Number BRX1-2450-SM	
		Approved By T.B.	