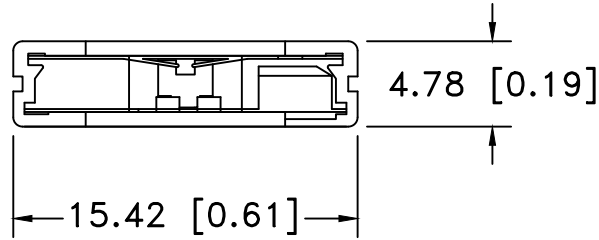


Test Results:

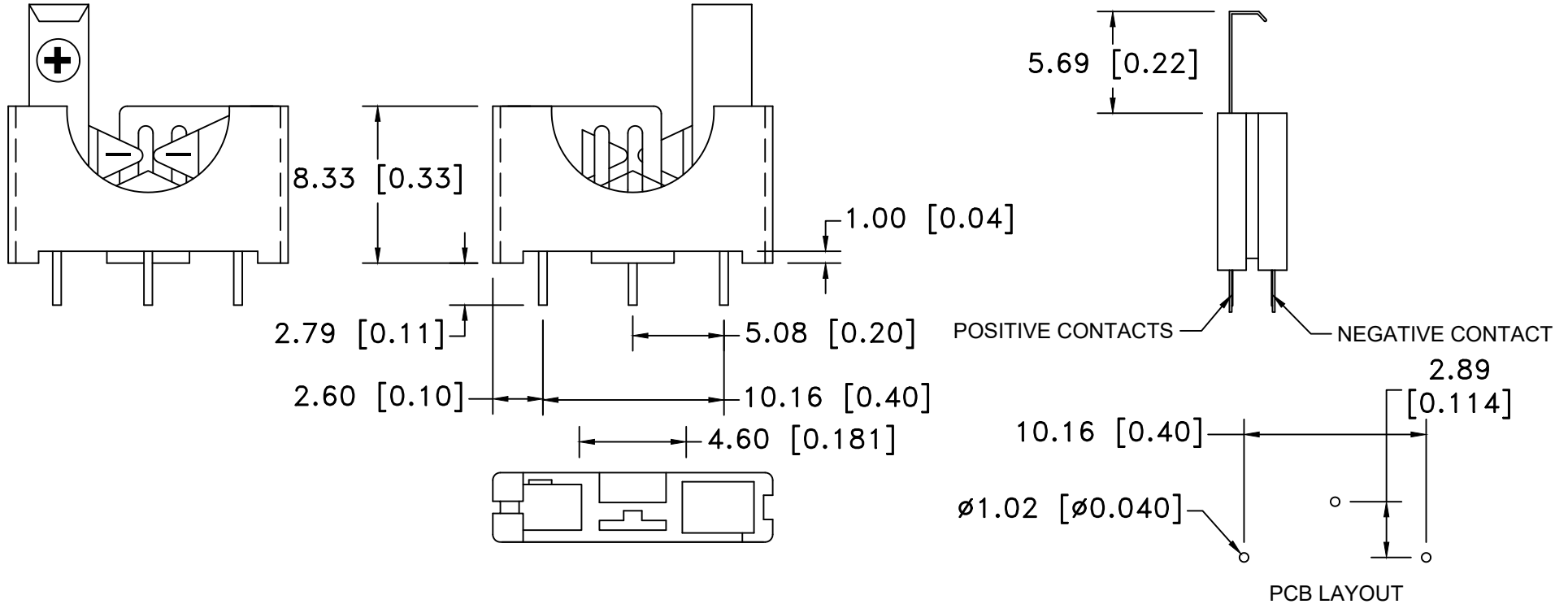
Vibration test: 10~55 Hz swept in 60 seconds
 Amplitude: 3mm PP
 X,Y,Z direction 1 hour, total 3 hours.
 Result: No dislodgement of the cell or damage.
 No discontinuity over 10 micro-seconds.

Drop Test:
 Mounted on board and dropped 1 time from 1m high to wood floor.
 Result: No dislodgement of the cell, No damage to the holder.

Shock Test: Half sine wave acceleration 80G. 6 milli-seconds.
 X,Y,Z direction 3 times each direction.
 Result: No dislodgement of cell
 No damage to the holder.




Date	SYM	REVISION RECORD	AUTH	DR.	CK.
09/23/20	L	ADDED FRONT VIEW	T.B.	B.S.	
09/02/21	M	ADDED MATERIAL NEAR CENTER CONTACT	T.B.	B.S.	
03/02/23	N	ADDED MATERIAL TEST RESULTS	T.B.	B.S.	



NOTES:

MATERIAL: GLASS FILLED NYLON 66, UL94V-0
 COLOR BLACK, UL FILE NO. E245249
 CONTACTS: PHOSPHOR BRONZE, C5191, NICKEL PLATED
 ELECTRICAL :
 VOLTAGE: 250V AC
 CONTACT RESISTANCE: 30mΩ MAX
 INSULATION RESISTANCE: 1000mΩ AT DC 500V
 DIELECTRIC STRENGTH: AC 1000V PER MINUTE
 TEMPERATURE RANGE: -40°C TO +200°C
 APPROXIMATE WEIGHT: 0.68g
 ROHS COMPLIANT

Tolerance (Except as noted)	 Memory Protection Devices, Inc 200 Broad Hollow Road, Farmingdale, New York 11735		
decimal ±.5 (.020)		Scale	Drawn By B.S.
Fractional ± .8 (.030)	Title BR/CR/DL 1225 VERTICAL BATTERY HOLDER, 3 PINS		
Angular ± 3°	Date 03/02/23	Drawing Number BS-1225-PC	
		Approved By T.B.	