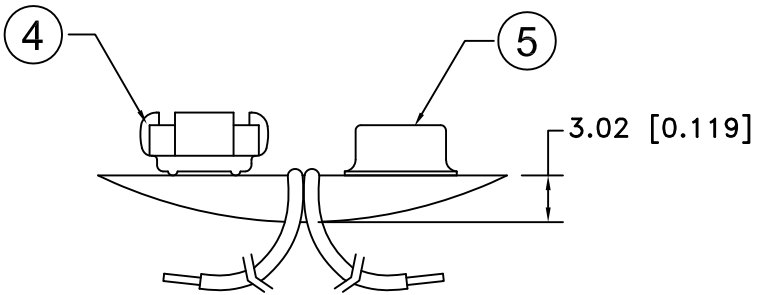
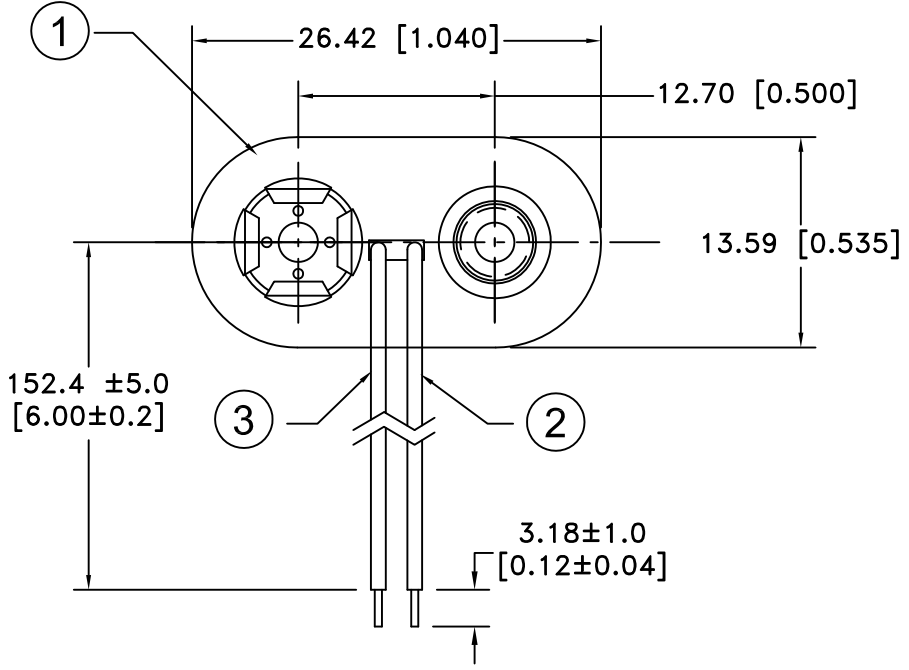



Date	SYM	REVISION RECORD	AUTH	DR.	CK.
4/22/06	A	Added "ROHS COMPLIANT"	T.B.	B.S.	
10/03/14	B	UPDATED TO ROHS 2 COMPLIANT	T.B.	B.S.	



ROHS 2 COMPLIANT

N0.	PART NAME	MATERIAL	QTY.
1	COVER	PVC COVER OVER FIBERBOARD	1
2	BLACK WIRE(-)	24 AWG, UL-1007, CSA TR-64, 300V, 80°C	1
3	RED WIRE (+)	24 AWG, UL-1007, CSA TR-64, 300V, 80°C	1
4	FEMALE SNAP	PHOSPHOR BRONZE, NICKLE PLATED, HEAVY DUTY	1
5	MALE SNAP	BRASS NICKLE PLATED	1

 Memory Protection Devices, Inc 200 Broad Hollow Road, Farmingdale, New York 11735	Scale Drawn By B.S.	
	Approved By T.B.	
Tolerance (Except as noted)	Title 9 VOLT BATTERY SNAP-T STYLE, HEAVY DUTY, 6" WIRE LEADS	
decimal $\pm .5$ (.020)	Date 10/03/14	Drawing Number BS6T-HD
Fractional $\pm .8$ (.030)		
Angular $\pm 3^\circ$		