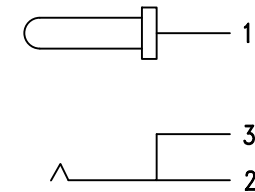
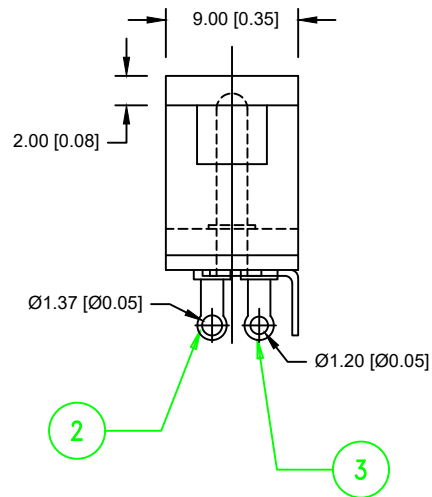
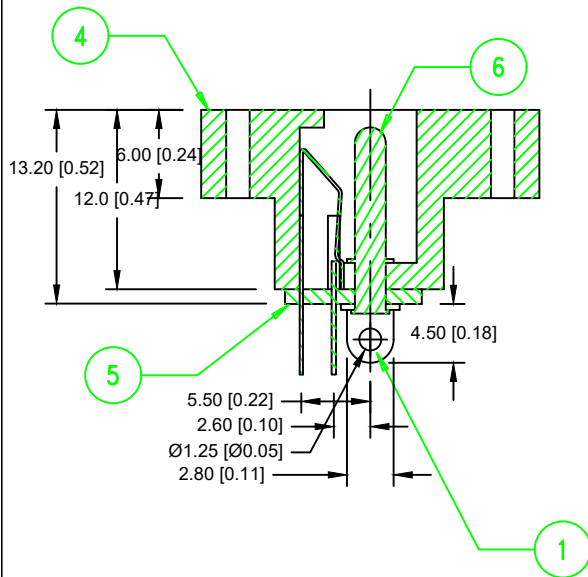


PANEL CUT-OUT



SCHEMATIC DIAGRAM

ELECTRICAL SPECIFICATIONS:

1. LIFE: 10,000 INSERTION/WITHDRAWAL CYCLE MINIMUM
2. CONTACT RESISTANCE: 50mΩ MAXIMUM
3. INSULATION RESISTANCE: 1000mΩ MINIMUM
4. DIELECTRIC WITHSTANDING VOLTAGE: 500AC MAXIMUM
5. MAXIMUM RATING: 5A, 12V DC

ROHS COMPLIANT

ITEM NO.	PART NAME	MATL. SPECIFICATION	Tolerance (Except as noted)	MPD Memory Protection Devices, Inc 200 Broad Hollow Road, Farmingdale, New York 11735		
1	PIN TERMINAL	0.4 THK BRASS, SILVER PLTD.	decimal	Scale	Drawn By B.S.	
2	SLEEVE SPRING	0.2 THK PHOSPHORSCENT BRONZE, SILVER PLTD.			Approved By D.L.	
3	BREAK TERMINAL	0.3 THK BRASS, SILVER PLTD.		Fractional	Title	
4	HOUSING	BLACK, P.B.T., UL File #E59481, UL 94V-0	DC JACK - PANEL MOUNT TYPE			
5	INSULATOR	BAKELITE, NATURAL	Angular	Date	Drawing Number	
6	PIN (Ø2.5)	COPPER, NICKLE PLTD.		± .8 (.030)	01/08/24	EJ505B
			± 3°			

Date	SYM	REVISION RECORD	AUTH	DR.	CK.
12/12/23	E	Added UL file no. Dim. 22.10 was 22.90 Dim. 18.00 was 18.20 Dim. 11.05 was 11.50 Dim. 13.20 was 13.60	D.L.	B.S.	
01/08/24	F	Added UL file no.	D.L.	B.S.	