

# HBRXPC15

## PNP Normally Closed Hold Beam Receiver

**MPD**  
MEMORY PROTECTION DEVICES

Certified ISO9001:2015

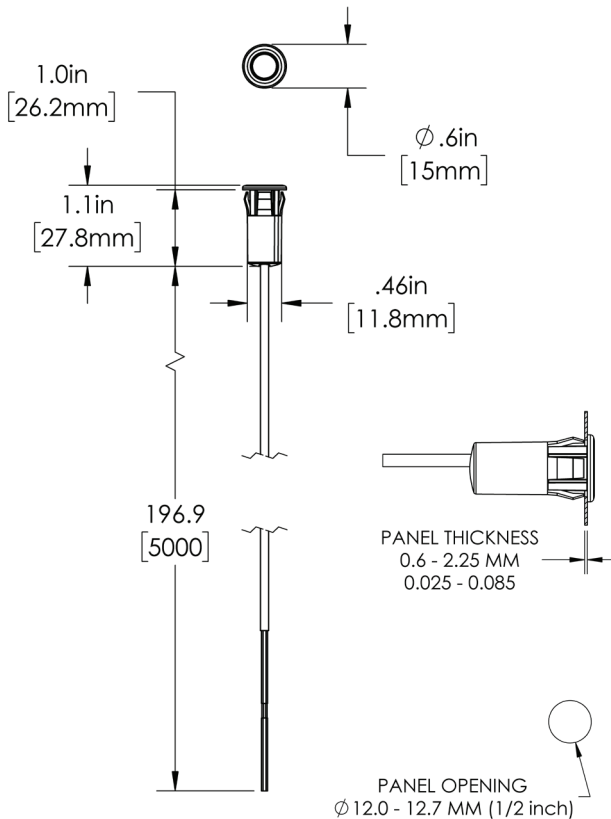
200 Broadhollow Road, Suite 4  
Farmingdale, NY 11735  
(631) 249-0001 / Fax (631) 249-0002  
www.memoryprotectiondevices.com



- Entrance, elevator, and escalator controls
- Range: 0-15m
- Supply voltage: 9 to 30 VDC
- Output: 30 mA
- Operating temperature: -30°C to 70°C
- NPN or PNP types available
- Patented LED ring indicator
- Patented adaptive power technology
- Noise immunity
- Available with or without cable connector
- UL325 approved

### Product Description

The MPD HB series beams are a family of general purpose IR sensors, with particular applications in entrance, elevator, and escalator applications. The "quick install" enclosure makes setup simple - just push the beam into a 12mm diameter hole drilled into the wall and it will snap into place. The IP65 housing makes the beams suitable for a wide variety of both indoor and outdoor applications.



### General Specifications

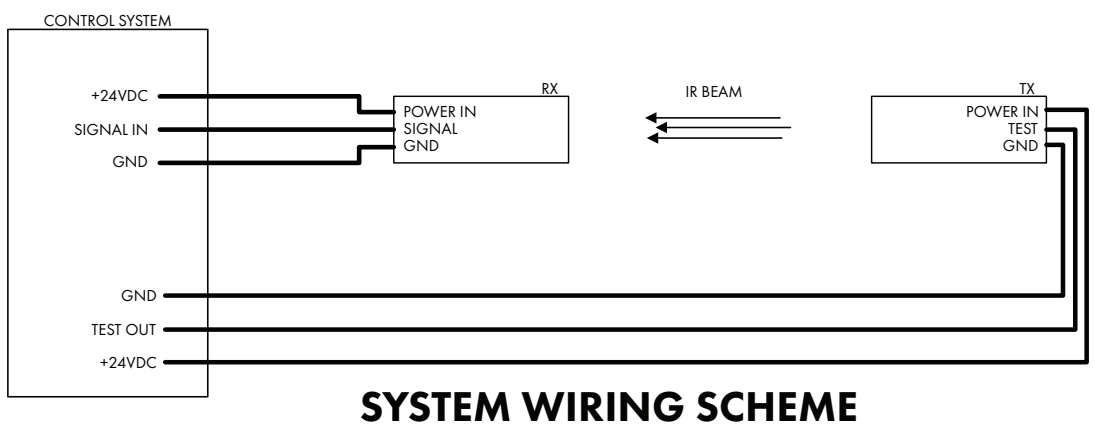
<b>Environment</b>	Overvoltage Capacity Pollution degree Degree of protection	Category III 3 IP65 (IEC60529)
<b>Temperature</b>	Operating Storage	-25° to 60° C -40° to 60° C
<b>Voltage Protection</b>	Rated Insulation Voltage Dielectric Test Voltage	75 VDC 500 VAC RMS (EN60947-1)
<b>ESPE</b>		Type 2
<b>Electrostatic Discharge</b>	Contact Air	≥ 4KV (IEC61000-4-2) ≥ 8KV (IEC61000-4-2)
<b>Impact</b>	Drop Test Side Impact	4 foot drop test Swinging Ball (UL746 sec 57)
<b>Certifications</b>		UL325: E325114 UL60947-1 / 5-2: E517822 CSA C22.2 No. 60947 RoHS and REACH Compliant

### Receiver Specifications

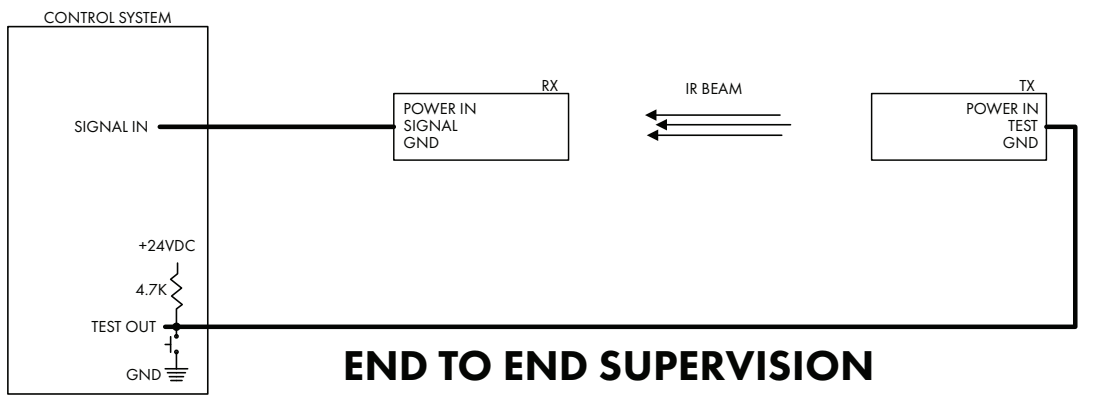
<b>Rated Operating Distance</b>	15m	
<b>Blind Zone</b>	None	
<b>Rated Operating Voltage</b>	10-30 VDC	
<b>Supply Current</b>	No load Continuous	≤ 10 mA ≤ 38 mA
<b>Protection</b>	Reverse Polarity ESD	
<b>Utility Categories</b>	DC12 DC13	
<b>Detection</b>	±4° @ 6.5m	



Certified ISO9001:2015  
 200 Broadhollow Road, Suite 4  
 Farmingdale, NY 11735  
 (631) 249-0001 / Fax (631) 249-0002  
 www.memoryprotectiondevices.com

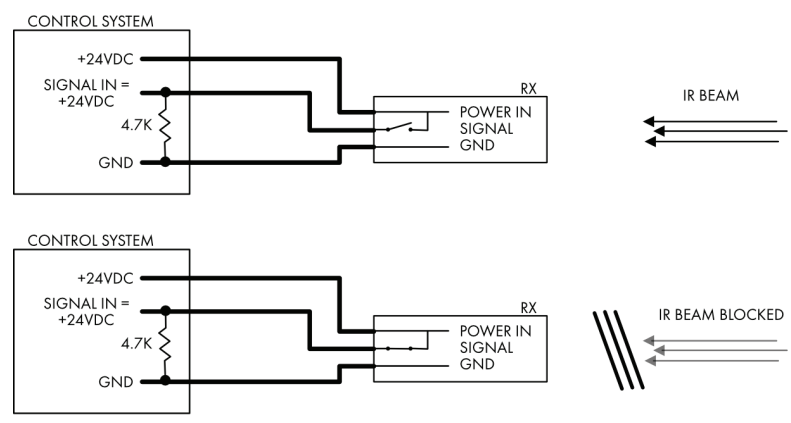


**SYSTEM WIRING SCHEME**



**END TO END SUPERVISION**

- STEP 1: TEST OUT = FLOATING OR 24VDC, TURNS ON TX IR BEAM.
- STEP 2: CONTROL SYSTEM DETECTS SIGNAL IN ENABLED.
- STEP 3: TEST OUT = GND, TURNS OFF TX IR BEAM.
- STEP 4: CONTROL SYSTEM DETECTS SIGNAL IN DISABLED.



**P TYPE - NORMALLY CLOSED**