

HBTX15

Hold Beam Transmitter

MPD
MEMORY PROTECTION DEVICES

Certified ISO9001:2015

200 Broadhollow Road, Suite 4
Farmingdale, NY 11735
(631) 249-0001 / Fax (631) 249-0002
www.memoryprotectiondevices.com



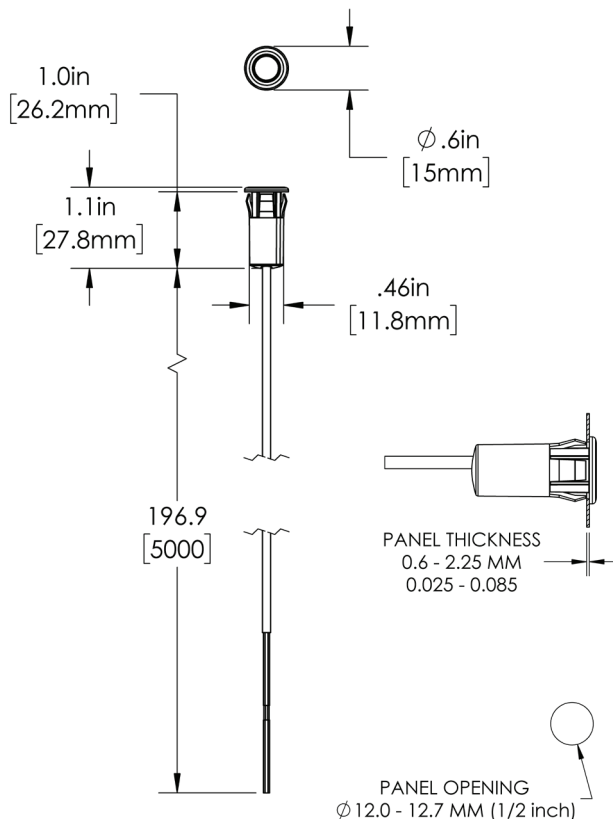
- Entrance, elevator, and escalator controls
- Range: 0-15m
- Supply voltage: 9 to 30 VDC
- Output: 30 mA
- Operating temperature: -30°C to 70°C
- NPN or PNP types available
- Patented LED ring indicator
- Patented adaptive power technology
- Noise immunity
- Available with or without cable connector
- UL325 approved

Product Description

The MPD HB series beams are a family of general purpose IR sensors, with particular applications in entrance, elevator, and escalator applications. The "quick install" enclosure makes setup simple - just push the beam into a 12mm diameter hole drilled into the wall and it will snap into place. The IP65 housing makes the beams suitable for a wide variety of both indoor and outdoor applications.

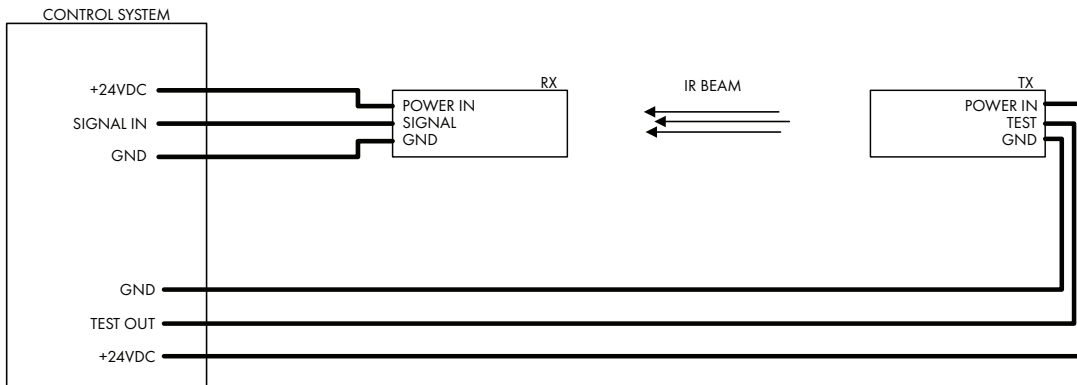
General Specifications

Environment	Overvoltage Capacity Pollution degree Degree of protection	Category III 3 IP65 (IEC60529)
Temperature	Operating Storage	-25° to 60° C -40° to 60° C
Voltage Protection	Rated Insulation Voltage Dielectric Test Voltage	75 VDC 500 VAC RMS (EN60947-1)
ESPE		Type 2
Electrostatic Discharge	Contact Air	≥ 4KV (IEC61000-4-2) ≥ 8KV (IEC61000-4-2)
Impact	Drop Test Side Impact	4 foot drop test Swinging Ball (UL746 sec 57)
Certifications		UL325: E325114 UL60947-1 / 5-2: E517822 CSA C22.2 No. 60947 RoHS and REACH Compliant

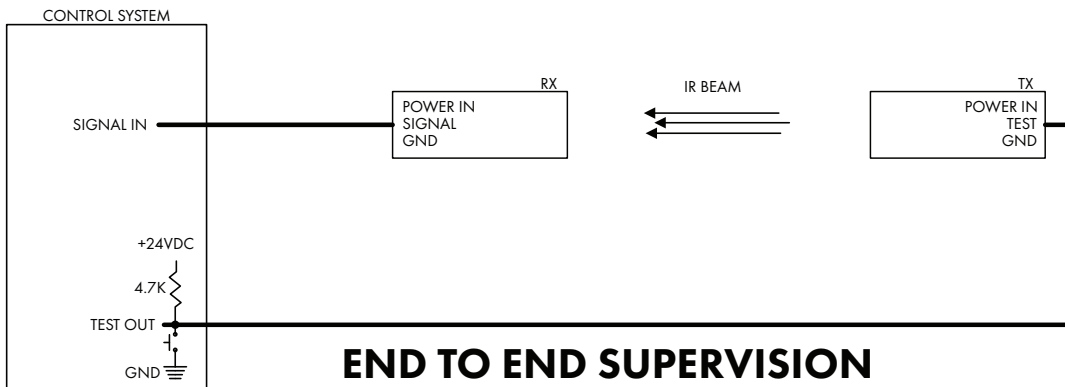


Emitter Specifications

Rated Operating Voltage	10-30 VDC	
Supply Current	≤ 20 mA	
Light	Source Type Spot	IR LED, 950nm IR, Modulated 950 mm @ 10m
Ring Indicator	Normal operation Mute function	Green, on continuous Green flash

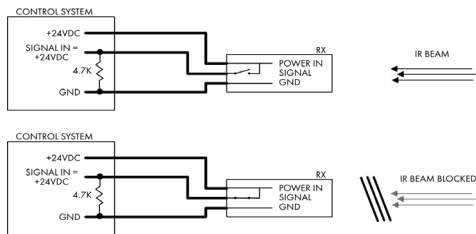


SYSTEM WIRING SCHEME

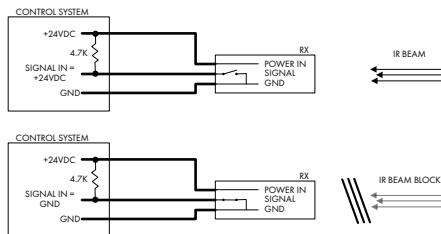


END TO END SUPERVISION

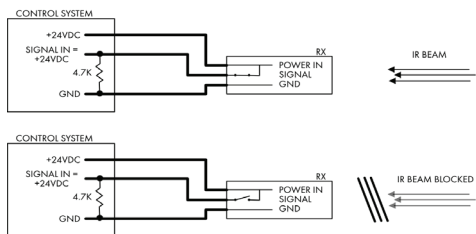
- STEP 1: TEST OUT = FLOATING OR 24VDC, TURNS ON TX IR BEAM.
- STEP 2: CONTROL SYSTEM DETECTS SIGNAL IN ENABLED.
- STEP 3: TEST OUT = GND, TURNS OFF TX IR BEAM.
- STEP 4: CONTROL SYSTEM DETECTS SIGNAL IN DISABLED.



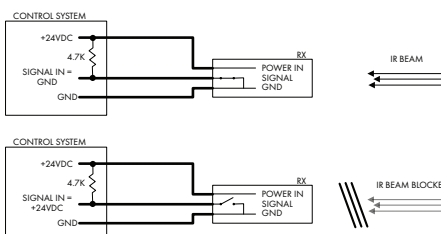
P TYPE - NORMALLY CLOSED



N TYPE - NORMALLY CLOSED



P TYPE - NORMALLY OPEN



N TYPE - NORMALLY OPEN